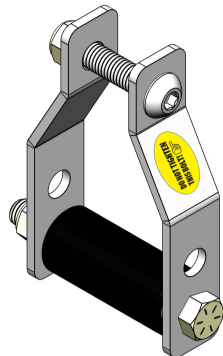


PART NAME - NUMBER

SHACKLE ASSEMBLY - 122450-BH



KIT INFORMATION



PRODUCT LINE
SuperSprings

VARIATION
Shackle-Kit

TOOLS REQUIRED

- > Neoprene gloves

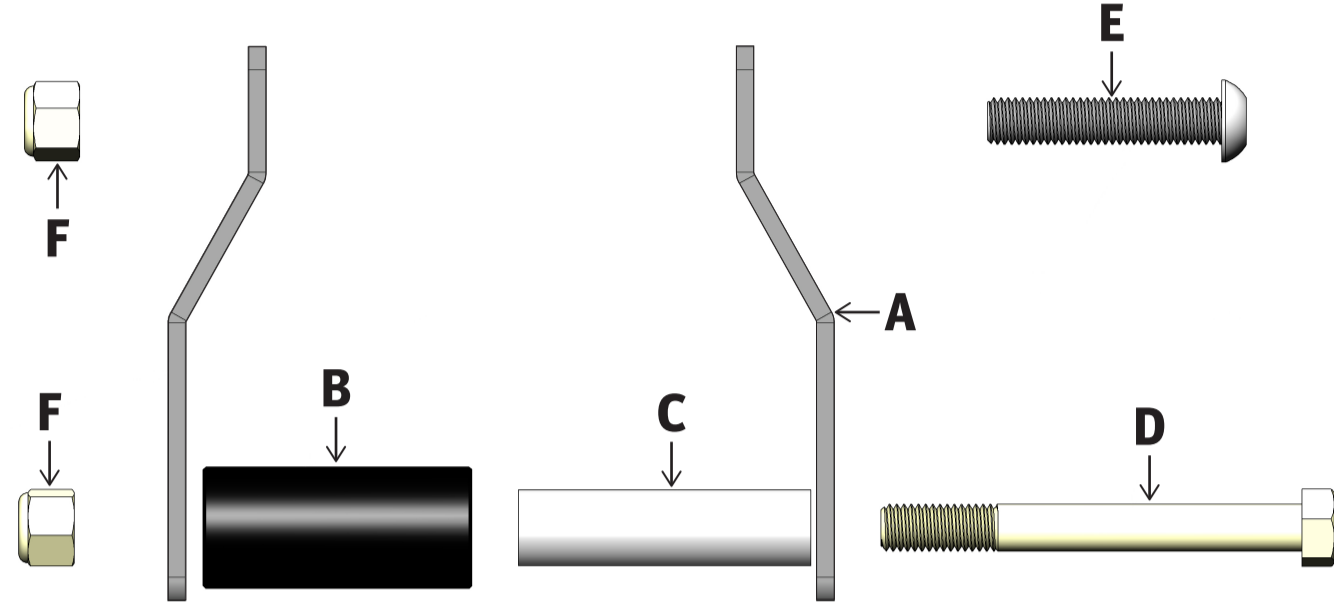
BEFORE YOU BEGIN

PLEASE NOTE

To protect against any shards of metal from the components, all of the following steps of this guide require you to wear neoprene gloves to complete.

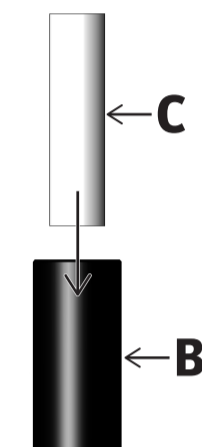
BILL OF MATERIALS

Item	Part #	Discription	QTY
A	122400	Angled Shackle	2
B	112189	HDPE Roller	1
C	112129	Steel Sleeve	1
D	112125	½-13 x 4 ½" Hex Bolt	1
E	112197	Button Head Hex Drive Screw	1
F	112126	½-13 Nylock Nut	2
G	112132	Do Not Tighten Sticker	1

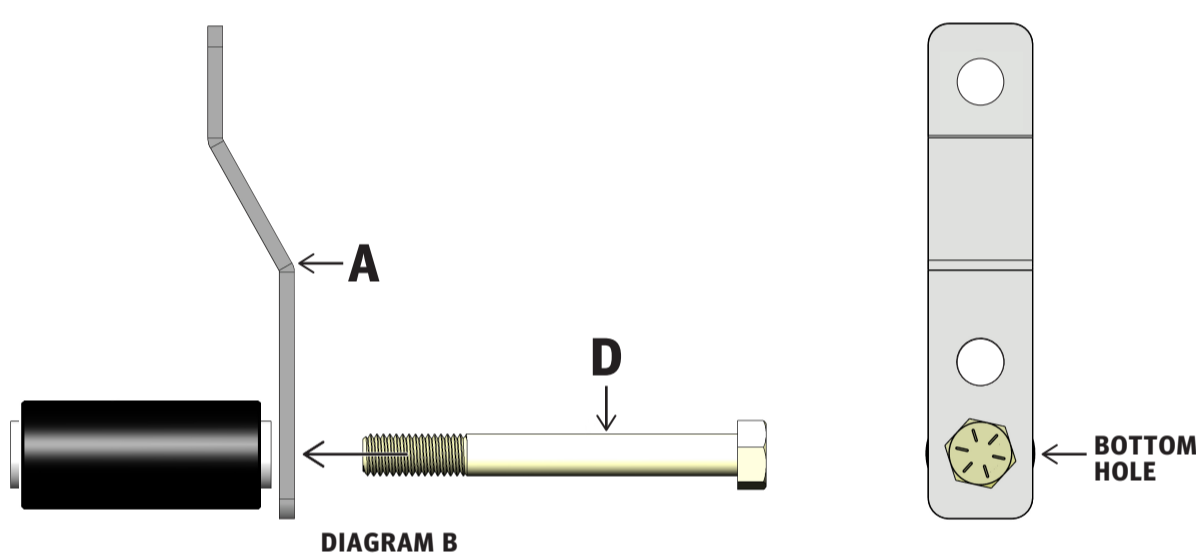


ASSEMBLY INSTRUCTIONS

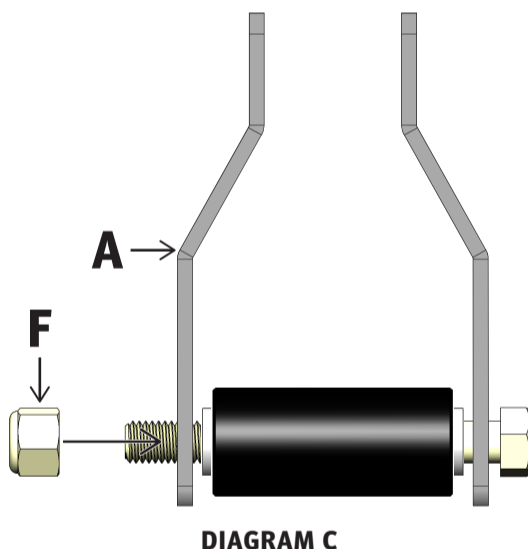
1. Locate and review components needed to build the shackle assembly as listed in the Bill of Materials section.
2. Lay the part B HDPE Roller upright on the table. Insert the part C Steel Sleeve into the HDPE Roller (DIAGRAM A).



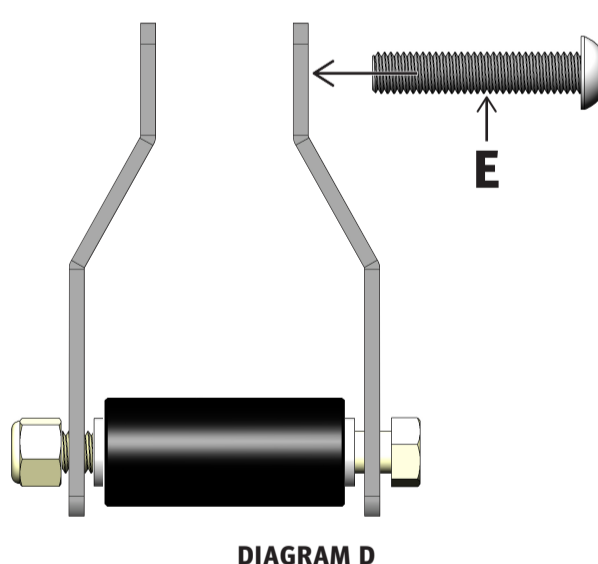
3. Holding the part A Shackle Leg with the group of 2 holes at the bottom, insert the part D 4 ½" Hex Bolt through the bottom hole of the shackle leg and rollers (DIAGRAM B).



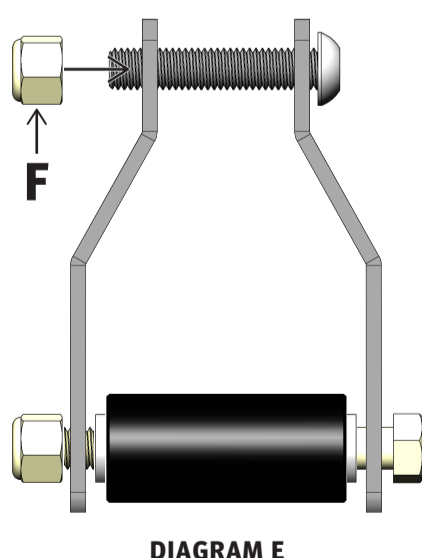
4. With half the shackle assembled, add the second part A Shackle Leg and part F Nylock Nut to the 4 ½" Hex Bolt (DIAGRAM C) to complete the lower half of the shackle.



5. Pass the part E Button Head Hex Drive Screw through both of the top holes of the shackle (DIAGRAM D).



6. Complete the top of the shackle assembly by placing the second part F Nylock Nut on to the part E Button Head Hex Drive Screw that has been placed through both shackle legs (DIAGRAM E).



7. Finish the completed shackle by placing a part G Do Not Tighten Sticker at the top of the leg of the shackle next to the head of hex screw part E (DIAGRAM F). The finger on the sticker should be pointing at the part E hex screw.



8. Using the scanner (refer to scanner instructions) enter the shackle assembly into the system.

COMPLETED ASSEMBLY

9. Place the assembled shackle in the applicable bin.

