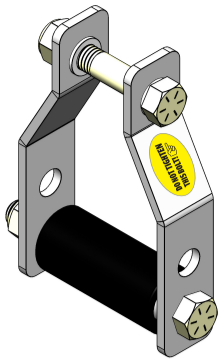


PART NAME - NUMBER

SHACKLE ASSEMBLY - 122450



KIT INFORMATION



PRODUCT LINE
SuperSprings

VARIATION
Shackle-Kit

TOOLS REQUIRED

- > Neoprene gloves

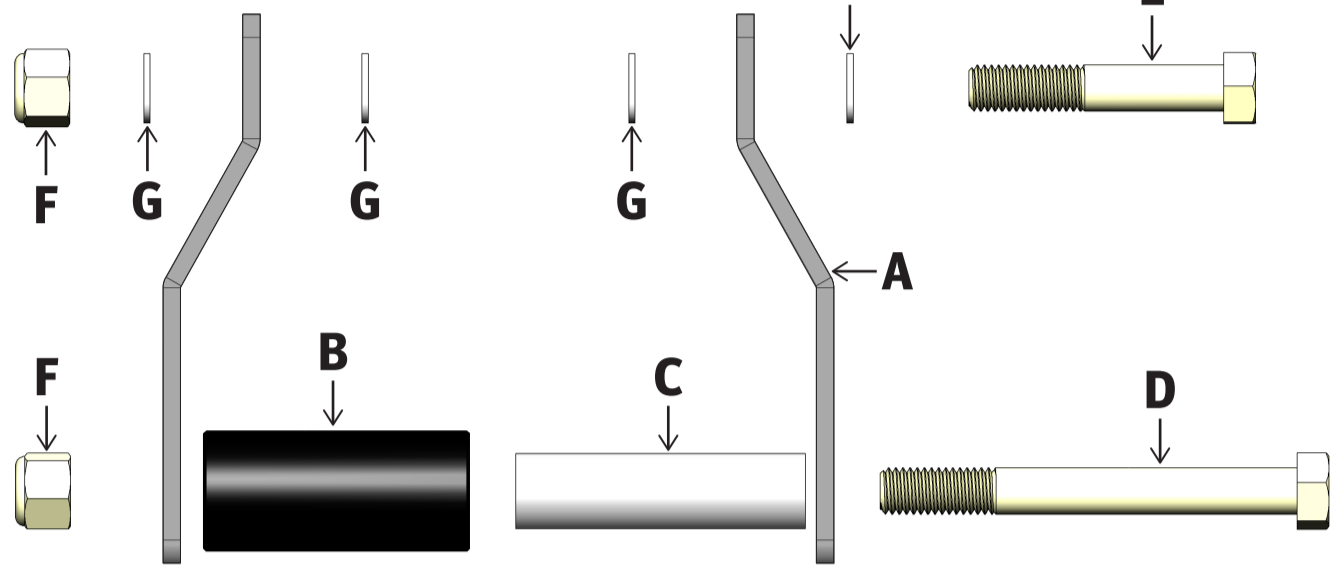
BEFORE YOU BEGIN

PLEASE NOTE

To protect against any shards of metal from the components, all of the following steps of this guide require you to wear neoprene gloves to complete.

BILL OF MATERIALS

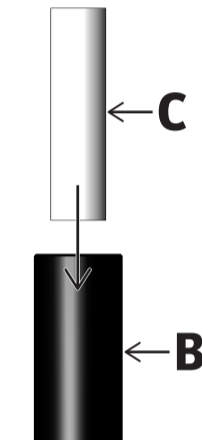
Item	Part #	Discription	QTY
A	122400	Angled Shackle	2
B	112189	HDPE Roller	1
C	112129	Steel Sleeve	1
D	112125	½-13 x 4 ½" Hex Bolt	1
E	112124	½-13 x 2 ¾" Hex Bolt	1
F	112126	½-13 Nylock Nut	2
G	112127	½" Nylon Flat Washer	4
H	112132	Do Not Tighten Sticker	1



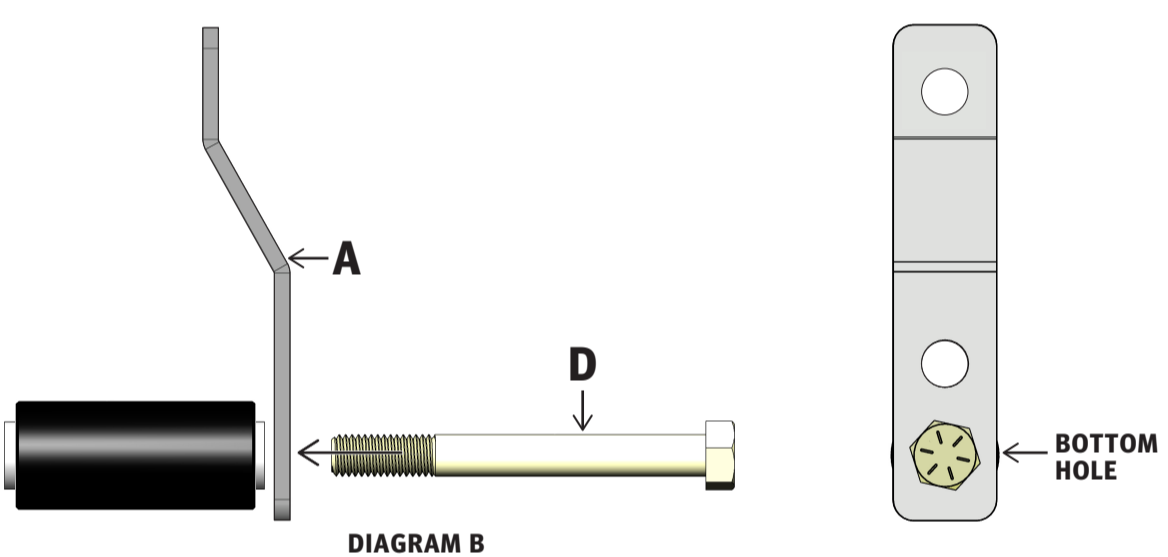
DO NOT TIGHTEN THIS BOLT! ← H

ASSEMBLY INSTRUCTIONS

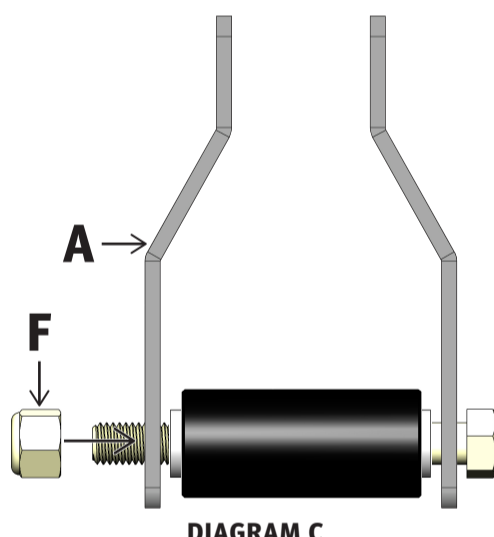
1. Locate and review components needed to build the shackle assembly as listed in the Bill of Materials section.
2. Lay the part B HDPE Roller upright on the table. Insert the part C Steel Sleeve into the HDPE Roller (DIAGRAM A).



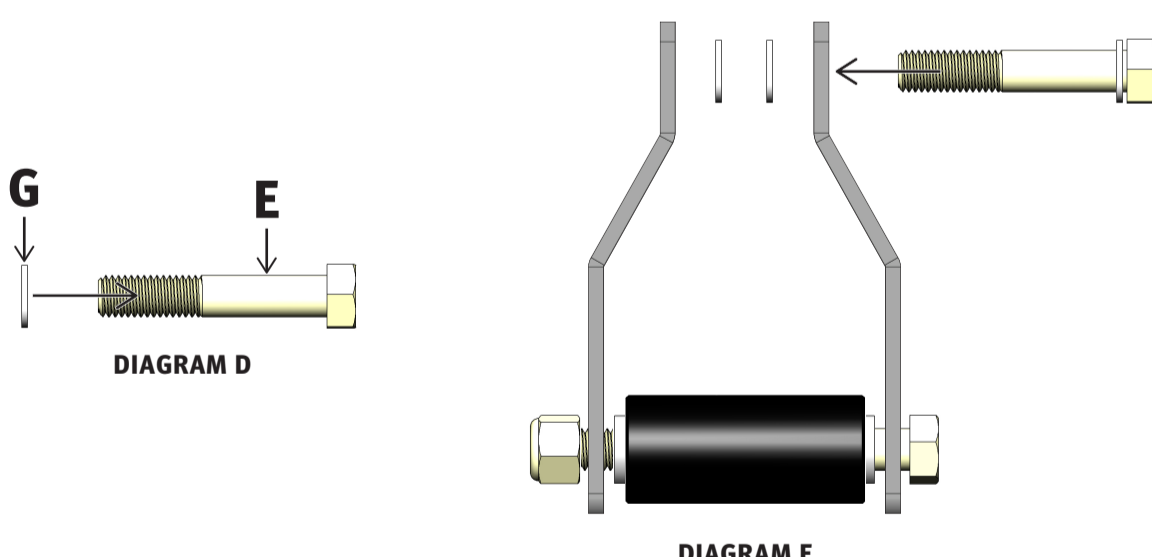
3. Holding the part A Shackle Leg with the group of 2 holes at the bottom, insert the part D 4 ½" Hex Bolt through the bottom hole of the shackle leg and roller (DIAGRAM B).



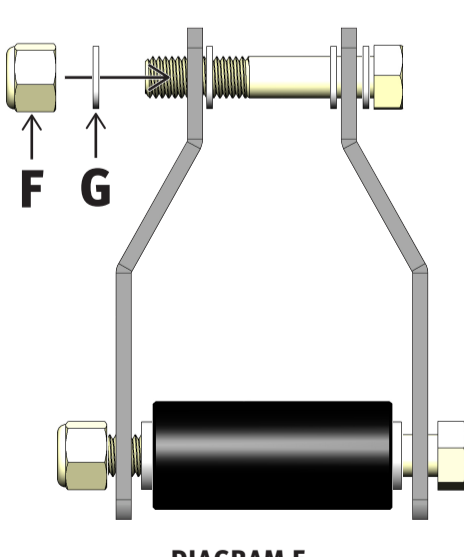
4. With half the shackle assembled, add the second part A Shackle Leg and part F Nylock Nut to the 4 ½" Hex Bolt (DIAGRAM C) to complete the lower half of the shackle.



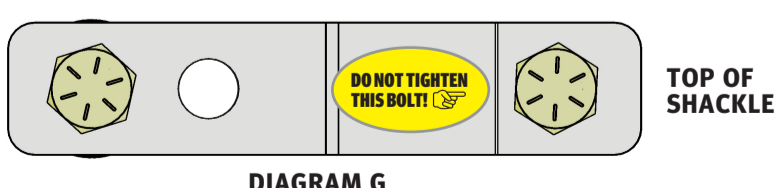
5. Add one part G Nylon Flat Washer to the part E 2 ¾" Hex Bolt (DIAGRAM D) and pass the hex bolt through the top hole of the first shackle leg, add 2 more flat washers before passing through the second shackle (DIAGRAM E).



6. Complete the top of the shackle assembly by placing the second part F Nylock Nut and part G Nylon Flat Washer on to the part E 2 ¾" Hex Bolt that has been placed through both shackle legs (DIAGRAM F).



7. Finish the completed shackle by placing a part H Do Not Tighten Sticker at the top of the leg of the shackle next to the head of bolt part E (DIAGRAM G). The finger on the sticker should be pointing at the part E bolt.



8. Using the scanner (refer to scanner instructions) enter the shackle assembly into the system.

9. Place the assembled shackle in the applicable bin.

COMPLETED ASSEMBLY

