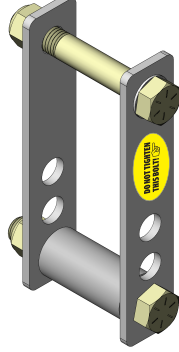


PART NAME - NUMBER

SHACKLE ASSEMBLY - 122461



KIT INFORMATION



PRODUCT LINE
SuperSprings

VARIATION
Shackle-Kit

TOOLS REQUIRED

> Neoprene gloves

BEFORE YOU BEGIN

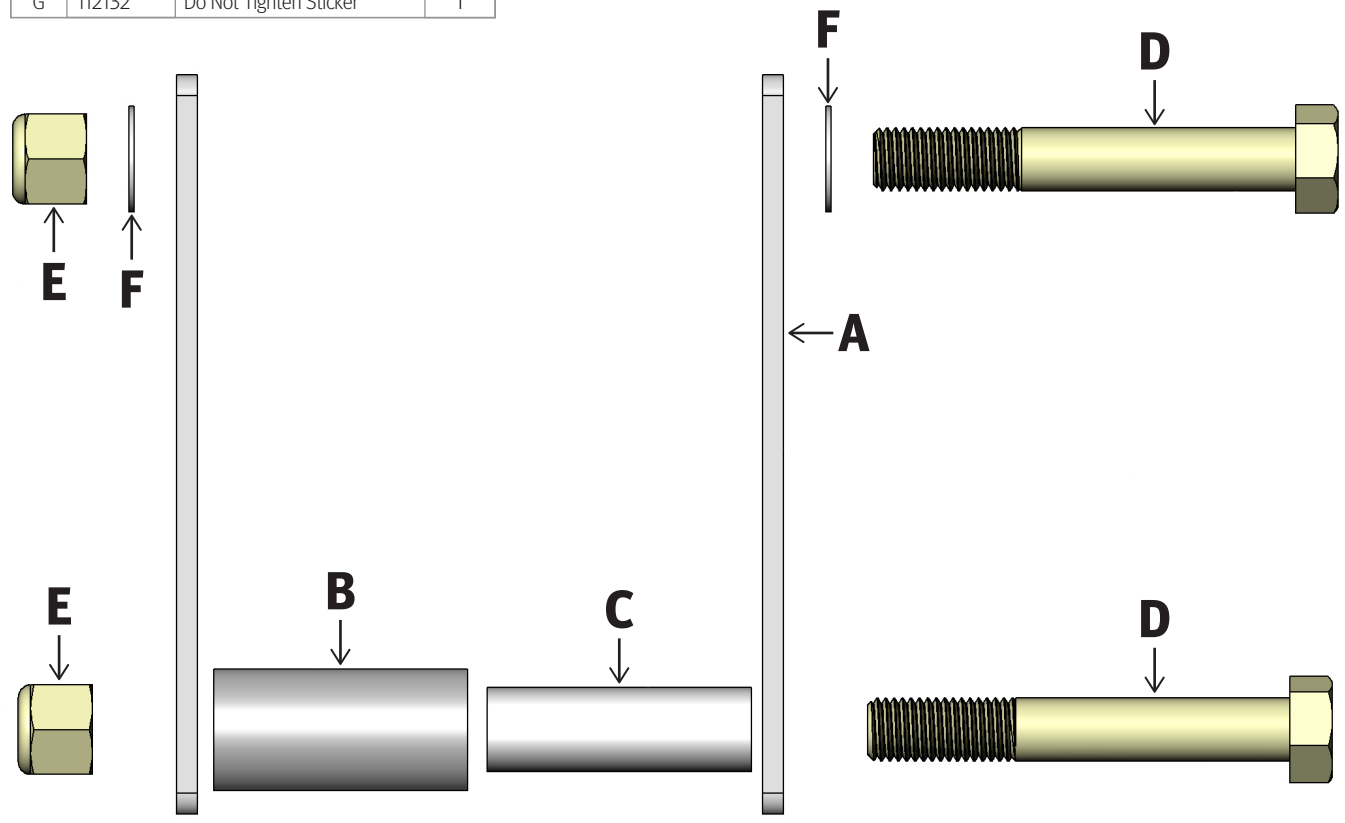
PLEASE NOTE

To protect against any shards of metal from the components, all of the following steps of this guide require you to wear neoprene gloves to complete.

BILL OF MATERIALS

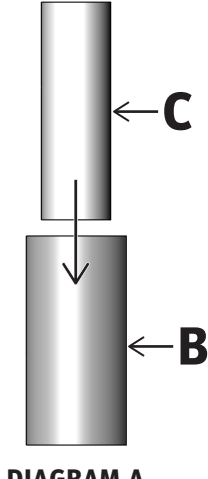
Item	Part #	Description	QTY
A	122408	Shackle Leg 4 Holes	2
B	112159	Steel Roller	1
C	112142	Steel Sleeve	1
D	112143	3/4-10 x 5" Hex Bolt	2
E	112145	3/4-10 Nylock Nut	2
F	112146	3/4" Nylon Flat Washer	2
G	112132	Do Not Tighten Sticker	1

DO NOT TIGHTEN THIS BOLT! ← G

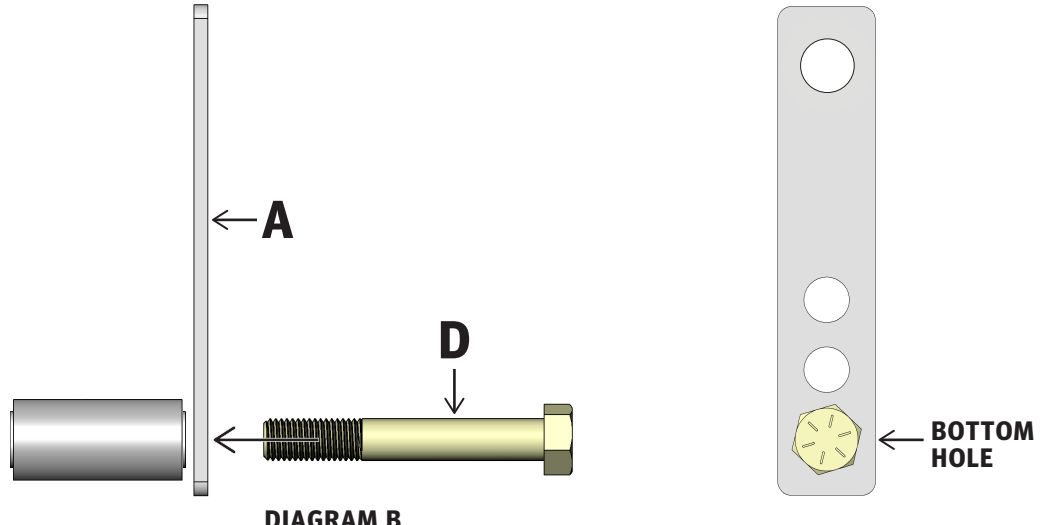


ASSEMBLY INSTRUCTIONS

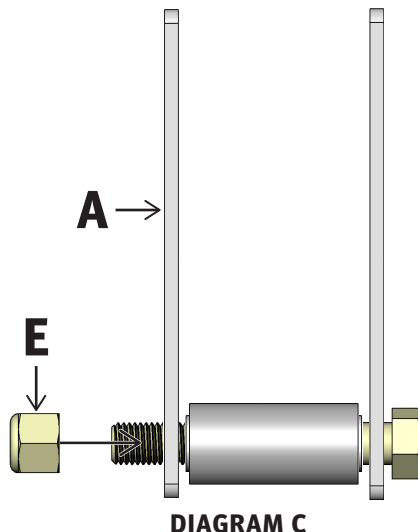
1. Locate and review components needed to build the shackle assembly as listed in the Bill of Materials section.
2. Lay the part B Steel Roller upright on the table. Insert the part C Steel Sleeve into the Steel Roller (DIAGRAM A).



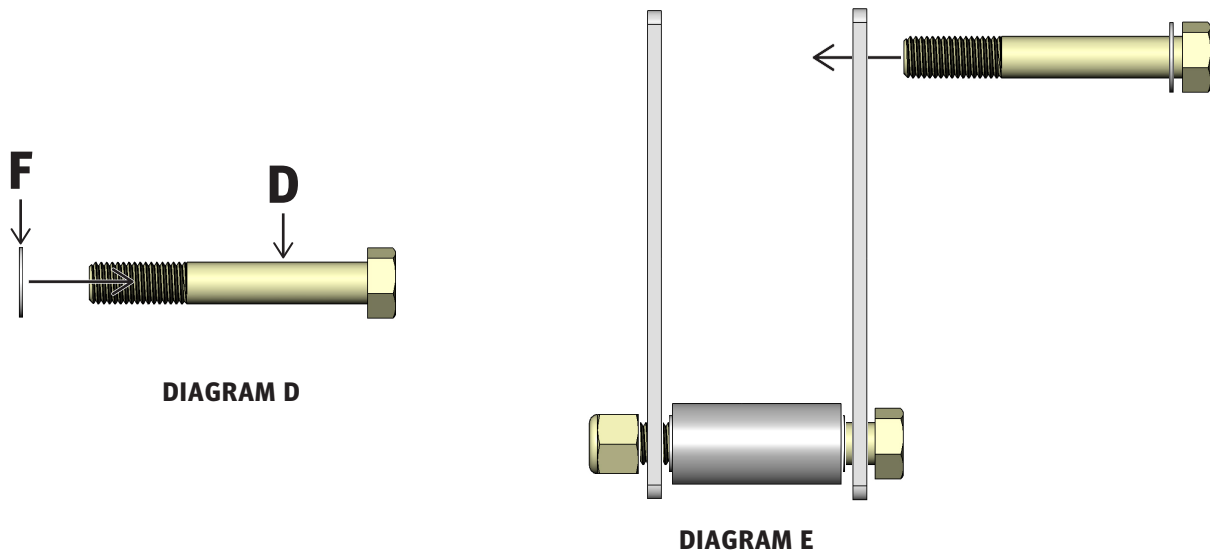
3. Holding the part A Shackle Leg with the group of 3 holes at the bottom, insert the part D 5" Hex Bolt through the bottom hole of the shackle leg and rollers (DIAGRAM B).



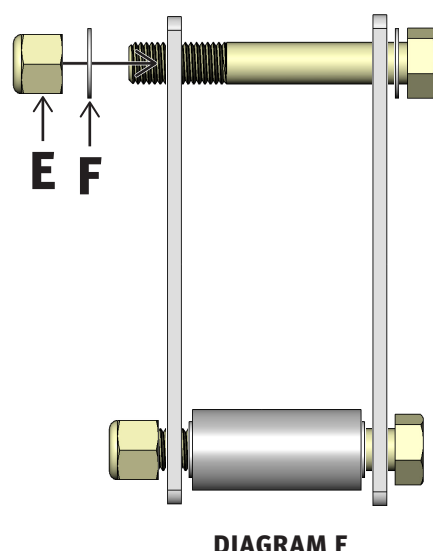
4. With half the shackle assembled, add the second part A Shackle Leg and part E Nylock Nut to the 5" Hex Bolt (DIAGRAM C) to complete the lower half of the shackle.



5. Add one part F Nylon Flat Washer to the second part D 5" Hex Bolt (DIAGRAM D) and pass the hex bolt through both of the top holes of the shackle (DIAGRAM E).



6. Complete the top of the shackle assembly by placing the second part E Nylock Nut and part F Nylon Flat Washer on to the part D 5" Hex Bolt that has been placed through both shackle legs (DIAGRAM F).



7. Finish the completed shackle by placing a part G Do Not Tighten Sticker at the top of the leg of the shackle next to the head of bolt part D (DIAGRAM G). The finger on the sticker should be pointing at the top part D bolt.



8. Using the scanner (refer to scanner instructions) enter the shackle assembly into the system.

9. Place the assembled shackle in the applicable bin.

COMPLETED ASSEMBLY

