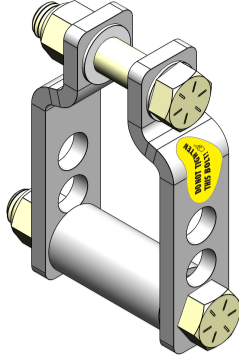


PART NAME - NUMBER

**SHACKLE ASSEMBLY - 122462**



**KIT INFORMATION**



**PRODUCT LINE**  
SuperSprings

**VARIATION**  
Shackle-Kit

**TOOLS REQUIRED**

- > Neoprene gloves

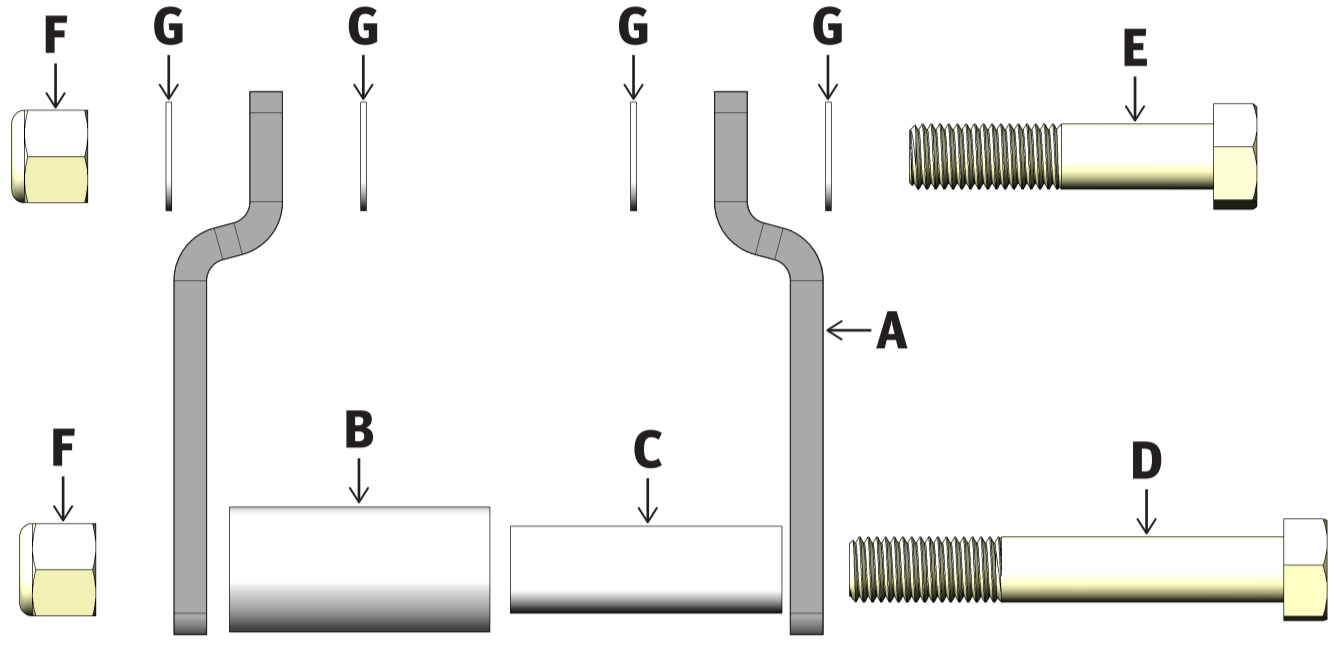
**BEFORE YOU BEGIN**

**PLEASE NOTE**

To protect against any shards of metal from the components, all of the following steps of this guide require you to wear neoprene gloves to complete.

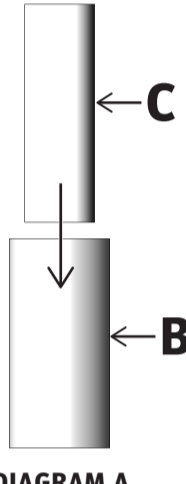
**BILL OF MATERIALS**

Item	Part #	Discription	QTY
A	122409	Square Shackle	2
B	112159	Steel Roller	1
C	112142	Steel Sleeve	1
D	112143	3/4-10 x 5" Hex Bolt	1
E	112144	3/4-10 x 3 1/2" Hex Bolt	1
F	112145	3/4-10 Nylock Nut	2
G	112146	3/4" Nylon Flat Washer	4
H	112132	Do Not Tighten Sticker	1

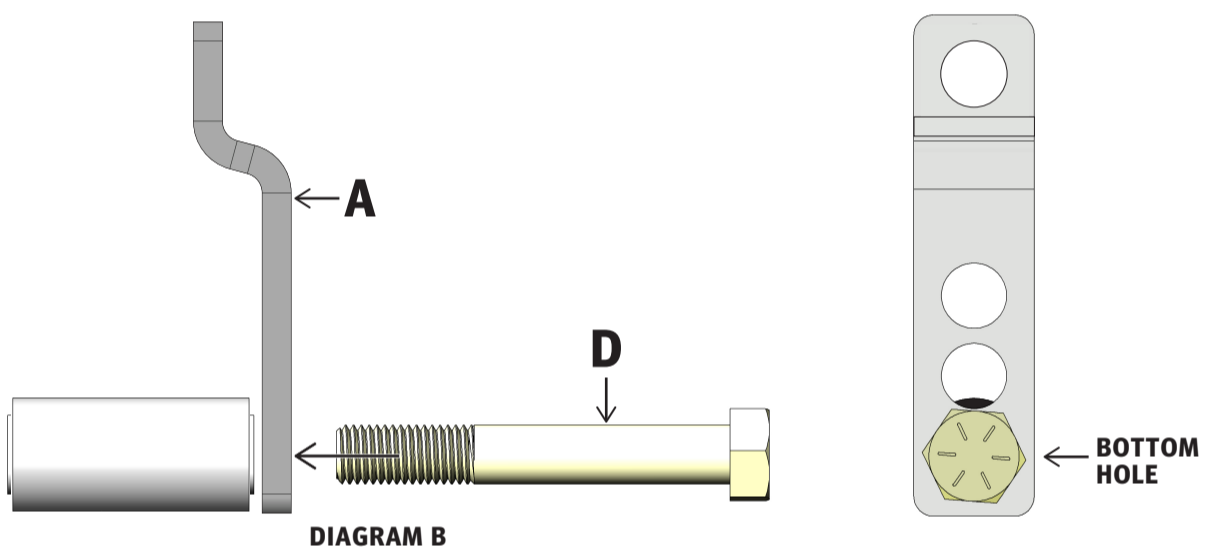


**ASSEMBLY INSTRUCTIONS**

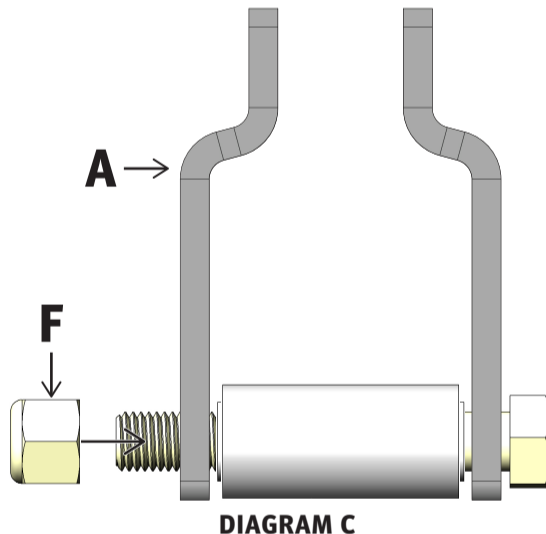
1. Locate and review components needed to build the shackle assembly as listed in the Bill of Materials section.
2. Lay the part B Steel Roller upright on the table. Insert the part C Steel Sleeve into the Steel Roller (DIAGRAM A).



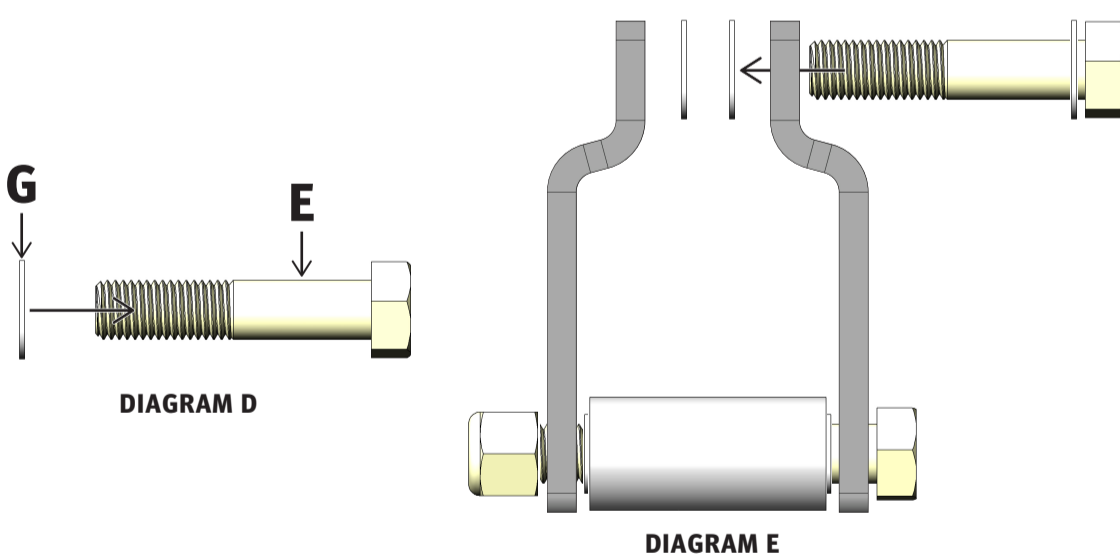
3. Holding the part A Shackle Leg with the group of 3 holes at the bottom, insert the part D 5" Hex Bolt through the bottom hole of the shackle leg and roller (DIAGRAM B).



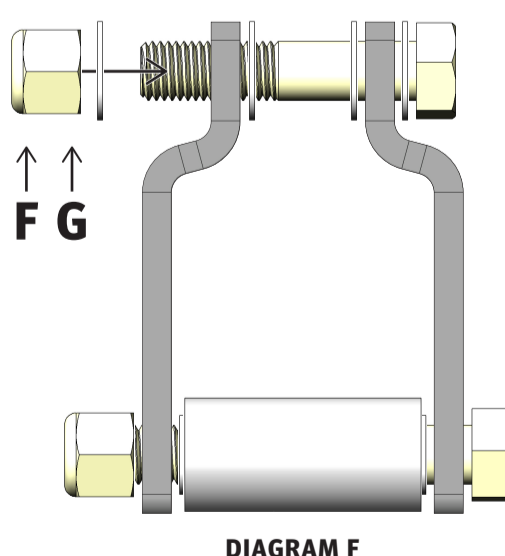
4. With half the shackle assembled, add the second part A Shackle Leg and part F Nylock Nut to the 5" Hex Bolt (DIAGRAM C) to complete the lower half of the shackle.



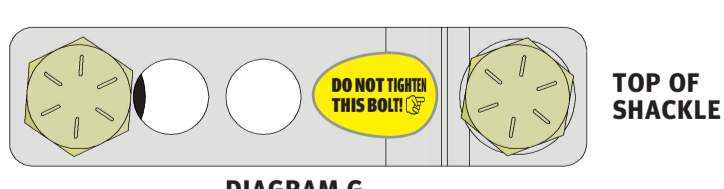
5. Add one part G Nylon Flat Washer to the part E 3 1/2" Hex Bolt (DIAGRAM D) and pass the hex bolt through the top hole of the first shackle leg, add 2 more flat washers before passing through the second shackle (DIAGRAM E).



6. Complete the top of the shackle assembly by placing the second part F Nylock Nut and part G Nylon Flat Washer on to the part E 3 1/2" Hex Bolt that has been placed through both shackle legs (DIAGRAM F).



7. Finish the completed shackle by placing a part H Do Not Tighten Sticker at the top of the leg of the shackle next to the head of bolt part E (DIAGRAM G). The finger on the sticker should be pointing at the part E bolt.



8. Using the scanner (refer to scanner instructions) enter the shackle assembly into the system.

9. Place the assembled shackle in the applicable bin.

**COMPLETED ASSEMBLY**

