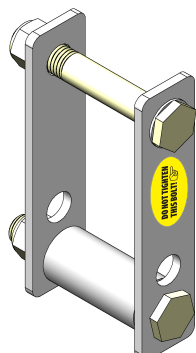


PART NAME - NUMBER

**SHACKLE ASSEMBLY - 122471**



**KIT INFORMATION**



**PRODUCT LINE**  
SuperSprings

**VARIATION**  
Shackle-Kit

**TOOLS REQUIRED**

- > Neoprene gloves

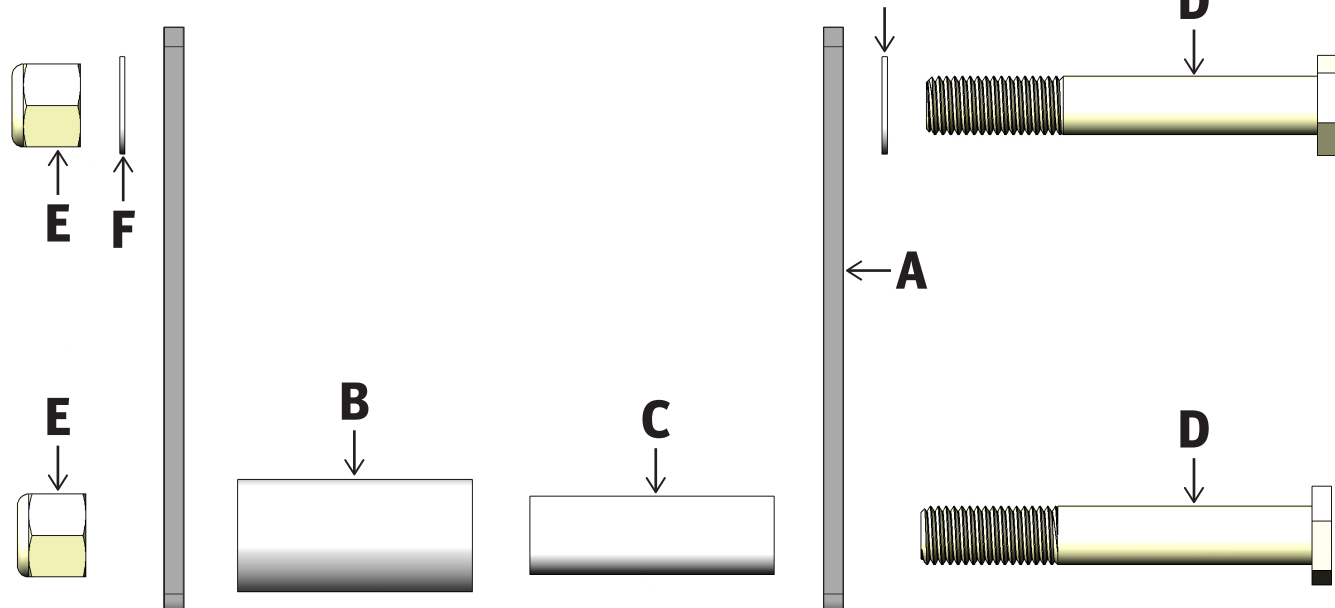
**BEFORE YOU BEGIN**

**PLEASE NOTE**

To protect against any shards of metal from the components, all of the following steps of this guide require you to wear neoprene gloves to complete.

**BILL OF MATERIALS**

Item	Part #	Description	QTY
A	122406	Shackle Leg 3 Holes	2
B	112159	Steel Roller	1
C	112142	Steel Sleeve	1
D	112150	3/4-10 x 5" Hex Bolt (Head Cut to 1/4")	2
E	112145	3/4-10 Nylock Nut	2
F	112146	3/4" Nylon Flat Washer	2
G	112132	Do Not Tighten Sticker	1



**ASSEMBLY INSTRUCTIONS**

1. Locate and review components needed to build the shackle assembly as listed in the Bill of Materials section.
2. Lay the part B Steel Roller upright on the table. Insert the part C Steel Sleeve into the Steel Roller (DIAGRAM A).

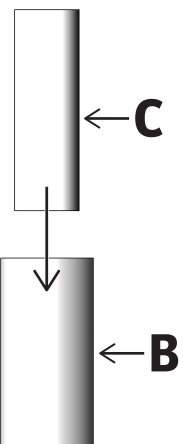


DIAGRAM A

3. Holding the part A Shackle Leg with the group of 2 holes at the bottom, insert the part D 5" Hex Bolt with the head cut to 1/4" (pre-cut from supplier) through the bottom hole of the shackle leg and rollers (DIAGRAM B).

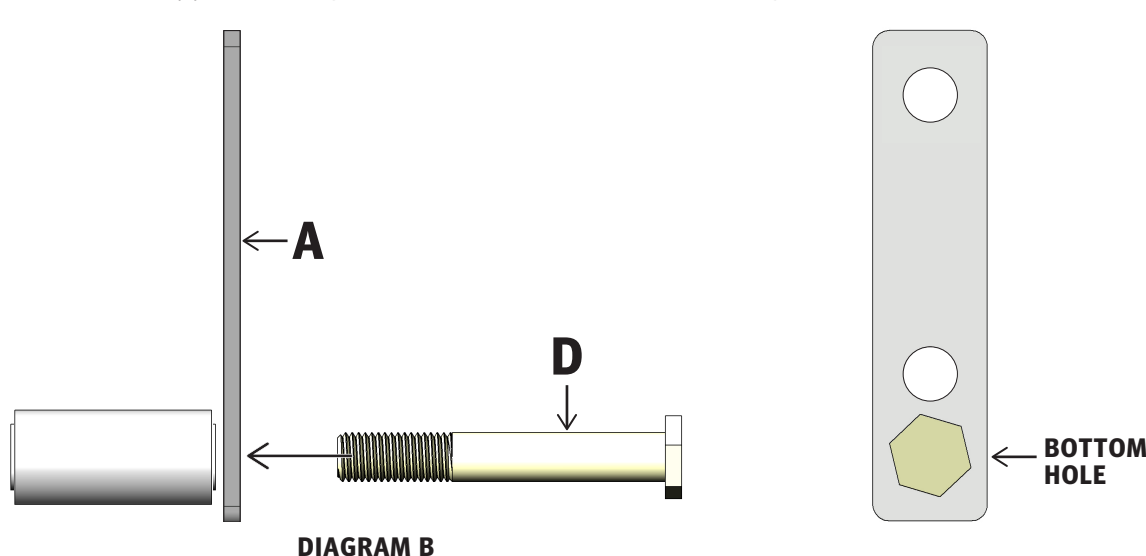


DIAGRAM B

4. With half the shackle assembled, add the second part A Shackle Leg and part E Nylock Nut to the 5" Hex Bolt (DIAGRAM C) to complete the lower half of the shackle.

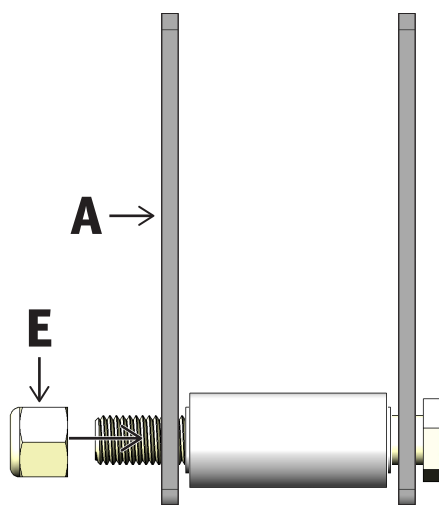


DIAGRAM C

5. Add one part F Nylon Flat Washer to the second part D 5" Hex Bolt (DIAGRAM D) and pass the hex bolt through both of the top holes of the shackle (DIAGRAM E).

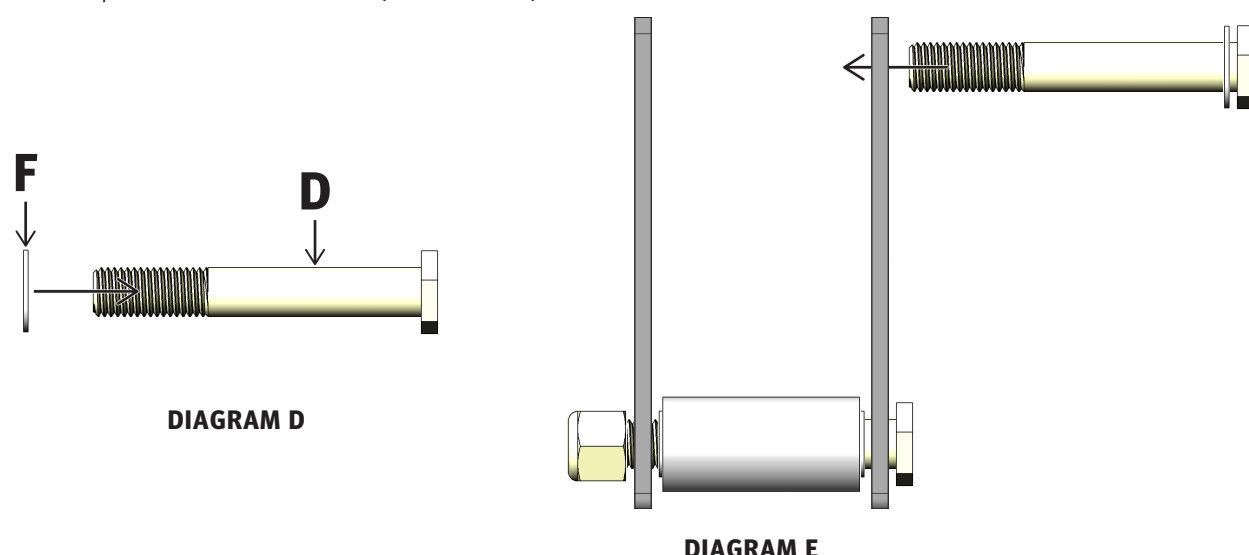


DIAGRAM D

DIAGRAM E

6. Complete the top of the shackle assembly by placing the second part E Nylock Nut and part F Nylon Flat Washer on to the part D 5" Hex Bolt that has been placed through both shackle legs (DIAGRAM F).

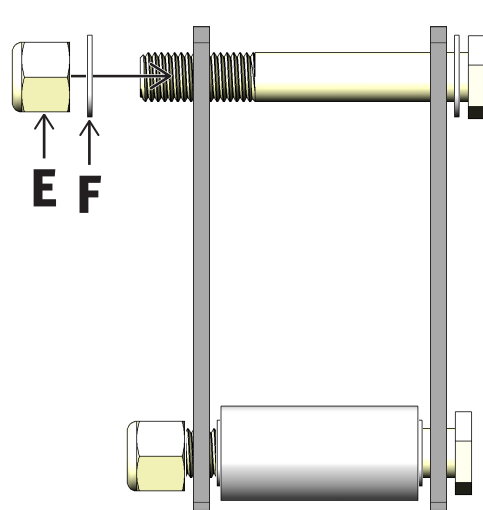


DIAGRAM F

7. Finish the completed shackle by placing a part G Do Not Tighten Sticker at the top of the leg of the shackle next to the head of bolt part D (DIAGRAM G). The finger on the sticker should be pointing at the top part D bolt.



DIAGRAM G

8. Using the scanner (refer to scanner instructions) enter the shackle assembly into the system.

**COMPLETED ASSEMBLY**

9. Place the assembled shackle in the applicable bin.

