

PART NUMBER
SSR-117-40



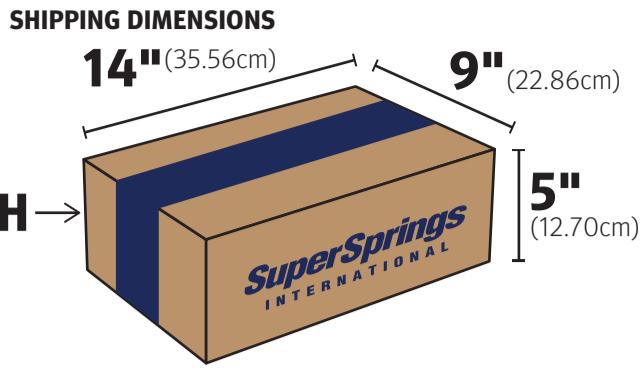
PRODUCT INFORMATION



PRODUCT LINE
SumoSprings
VARIATION
Solo

COLOR
Blue

BOX INFORMATION

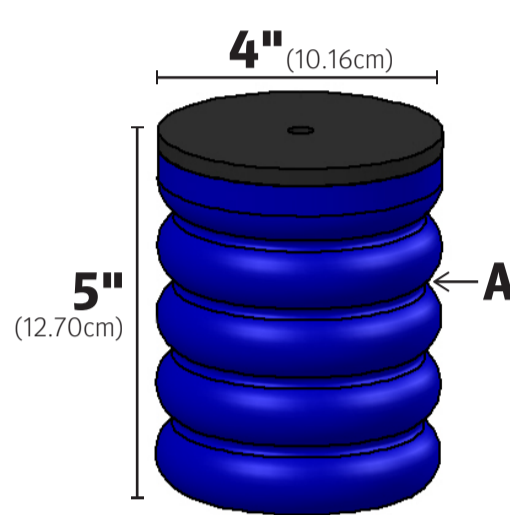
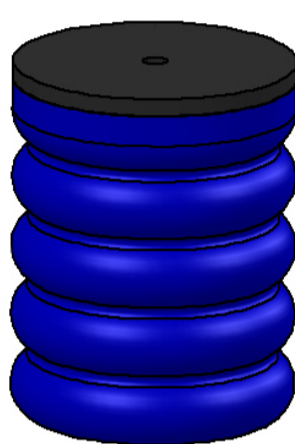
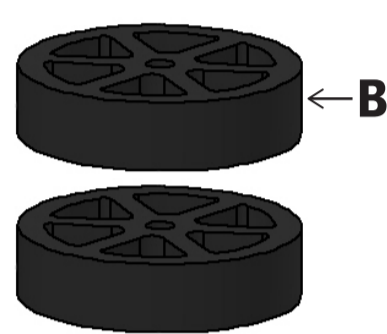
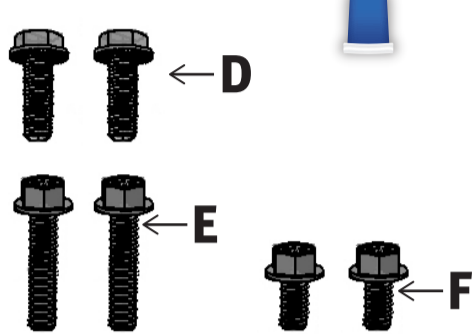
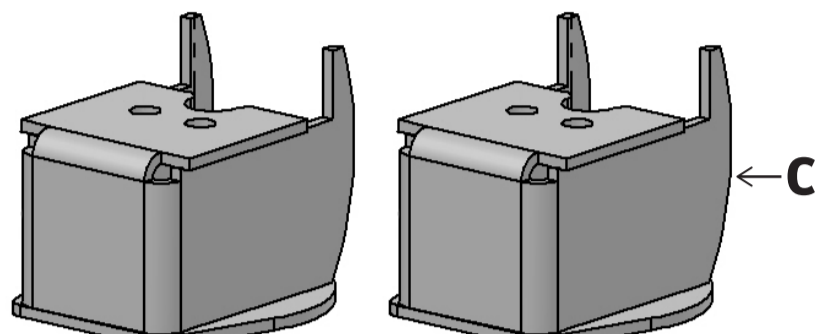
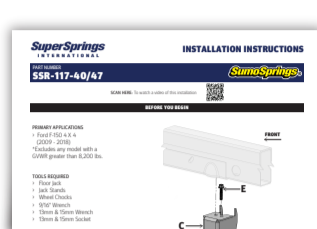


BOX DESCRIPTION
Medium SumoSprings Box
BOX NUMBER
512509

TAPE MACHINE POSITION
#20 // 18" (45.72cm)

BILL OF MATERIALS

Item	Part #	Description	QTY
A	51440-38	SumoSprings Blue -40	2
B	512117	1" Spacer	2
C	512115	Mounting Bracket	2
D	512312	M10-15 x 30mm Bolt	2
E	512274	3/8-16 x 1 3/4" Bolt	2
F	512207	3/8-16 x 3/4" Bolt	2
G	512239	Blue Thread Locker	1
H	512509	Medium SumoSprings Box	1
I	122363	S-Badge Sticker	1
J	122366	SumoSprings Logo Sticker	1
K	122369	Warranty Card	1
L	INS_SSR-117-40/47	Install Guide	1



TOOLS REQUIRED

- > Protective gloves
- > Safety glasses
- > Heat sealer
- > 4" (10.16cm) Plastic tubing
- > Metal ruler
- > 3/8-16" Drill bit
- > Handheld drill
- > Air hose/compressed air
- > Protectant cleaner
- > Microfiber towel
- > Filler paper machine
- > Filler paper

BEFORE YOU BEGIN

PLEASE NOTE
All of the following steps that are highlighted in yellow require you to wear protective gloves and safety glasses to complete.

PACKING INSTRUCTIONS

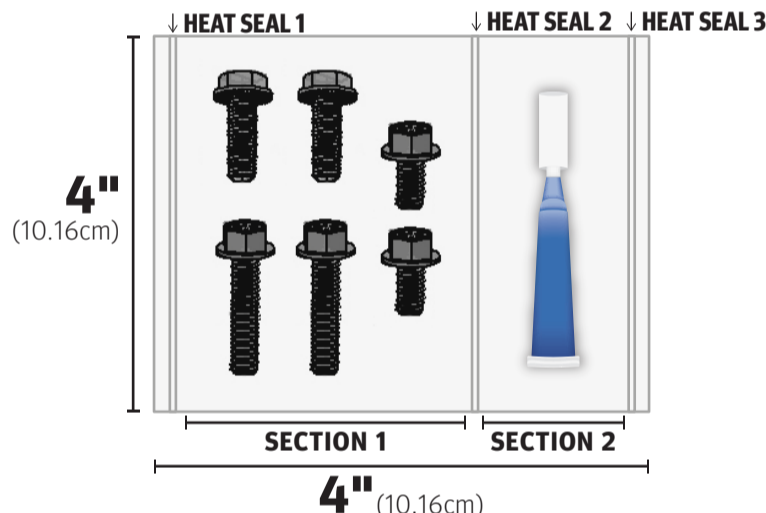
- Print or retrieve one set of installation instructions per kit. Always use the current, approved, document revision.
- Fold instructions in half, placing the warranty card and stickers within the folded document. Set them aside.
- Locate and review components needed to build kit as listed in the Bill of Materials section.
- Start by building the kit box according to the Box Guide.
- Retrieve the 4" (10.16cm) wide plastic tubing to create a small bag for kit accessories.

6. Using the heat sealer, set the heat settings at #4. Measure the roll to 4" (10.16cm), press sealer arm down across the plastic roll for 2 seconds to create a sealed closure (HEAT SEAL 1). Press the cut button to release the roll, creating a bag.

7. Inside the bag place:

Section 1:
~ 2 1/2" (6.35cm)
D x2, E x2, and F x2
(HEAT SEAL 2)

Section 2:
~ 1" (2.54cm)
G x1



8. Insert the opening of the bag into the heat sealer and repeat step 6 to seal the bag closed (HEAT SEAL 3). Set bag aside.

9. Visually inspect the height of the two SumoSprings, and ensure they match each other. If not, select another component until both match in height. If needed, use the metal ruler for assistance with accuracy.

10. SumoSprings will need to have the thread cleaned. For this, use the hand drill and a 3/8-16" drill bit.

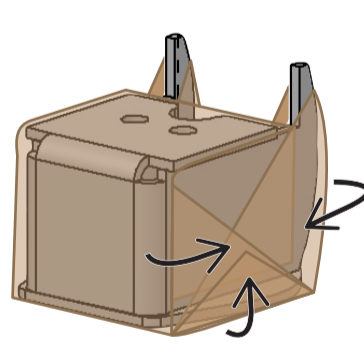
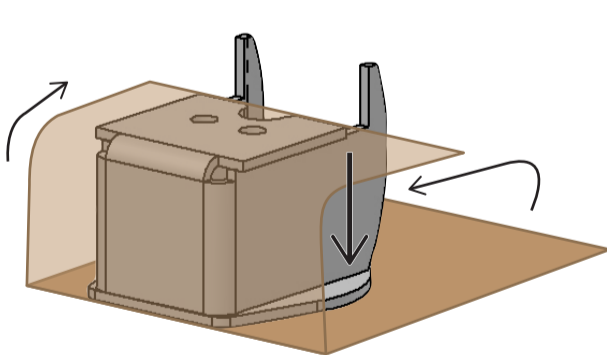
11. On the hand drill, turn drill speed to the #1.

12. Place the 3/8-16" drill bit into the thread of the SumoSprings approximately 3/4" to 1" (1.91 - 2.54cm). Thread is located at the top center of the SumoSprings component. Turn drill on until the glue and plastic are removed from the thread. Approximate drill time is 2 to 5 seconds. Once complete, make sure the drill is turned off in a secure location.

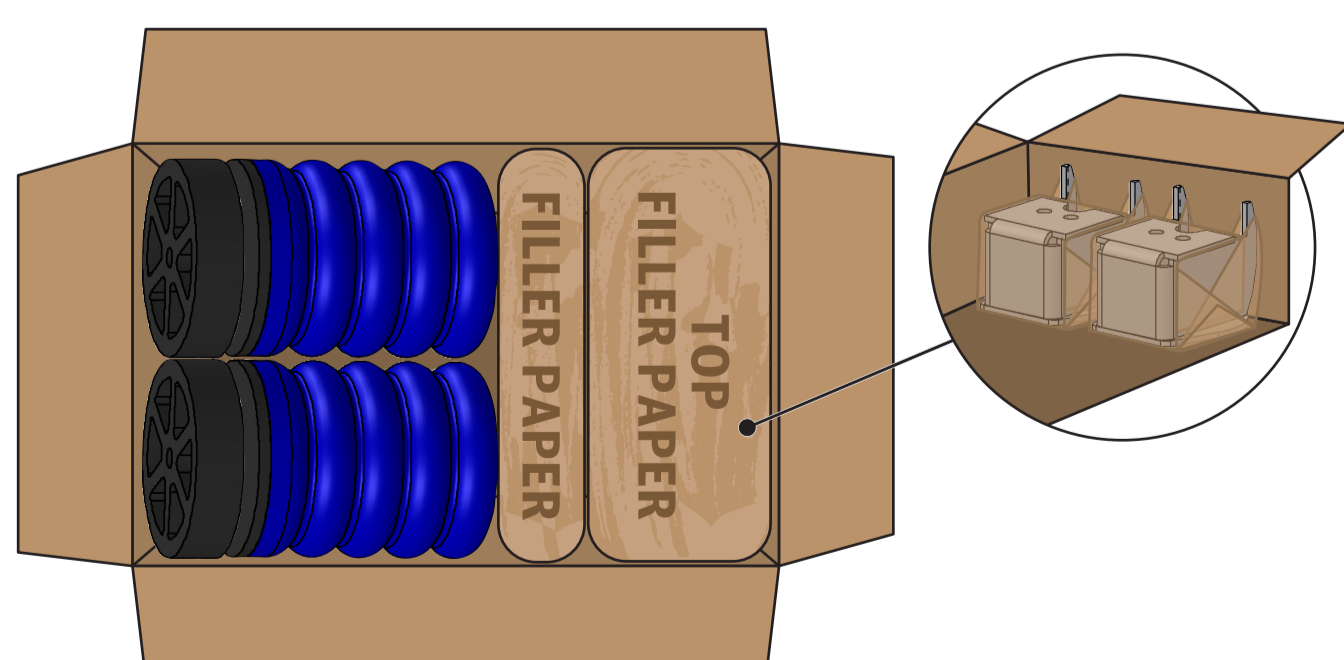
13. Using the air hose, or compressed air, clean off the SumoSprings for any residue left over from drilling. Place the air hose, or compressed air, back in its secure location.

14. Using a microfiber towel and a small amount of protectant cleaner, wipe clean the SumoSprings of any dust or debris. Set aside the SumoSprings.

15. Retrieve the filler paper machine and carefully release and cut 24" (60.96cm) of filler paper. Set the part C bracket on top of the filler paper and wrap the paper up to the prongs, pulling snug then folding the sides down and tucking the end into the open side of the bracket (DIAGRAM A). Crease the paper on each side and fold in towards the center of the side of the bracket (DIAGRAM B). Repeat process again for second part C bracket.



16. Place the SumoSprings inside the box (refer to diagram below), both need to be in the same direction of each other and packaged to the left side of the box. Place the brackets to the right side of the box. Using the filler paper machine, release enough paper to fill the space it between the SumoSprings and brackets in the box and over the top of the bracket bundles. The SumoSprings and brackets should fit snug with little to no movement.



17. Place the 4" (10.16cm) bag with the accessories in the box, between the SumoSprings and brackets.

18. Retrieve the installation instructions packet, which should contain the warranty card and SSI sticker, and place it on top of the components in the box.

19. Close the top of the box by completing the steps referenced in the Box Guide.

20. Using the scanner (refer to scanner instructions) print out a label.

21. Position label vertically, on the left side of the end of the box with the SuperSprings International logo side to the left (refer to Completed Kit Diagram).

22. Place the finished kit in the applicable bin.

COMPLETED KIT



COMPLETED KIT WEIGHT
11lbs (5 kg.)