

PART NUMBER
SSA41.5



BEFORE YOU BEGIN

TOOLS REQUIRED

- > Floor Jack
- > Safety Jack Stands
- > Wheel Chocks
- > 1-1/16" Wrench/Socket
- > 1-1/8" Wrench/Socket
- > Heavy Duty Clamps or SuperSprings Installation Tool

PARTS LIST

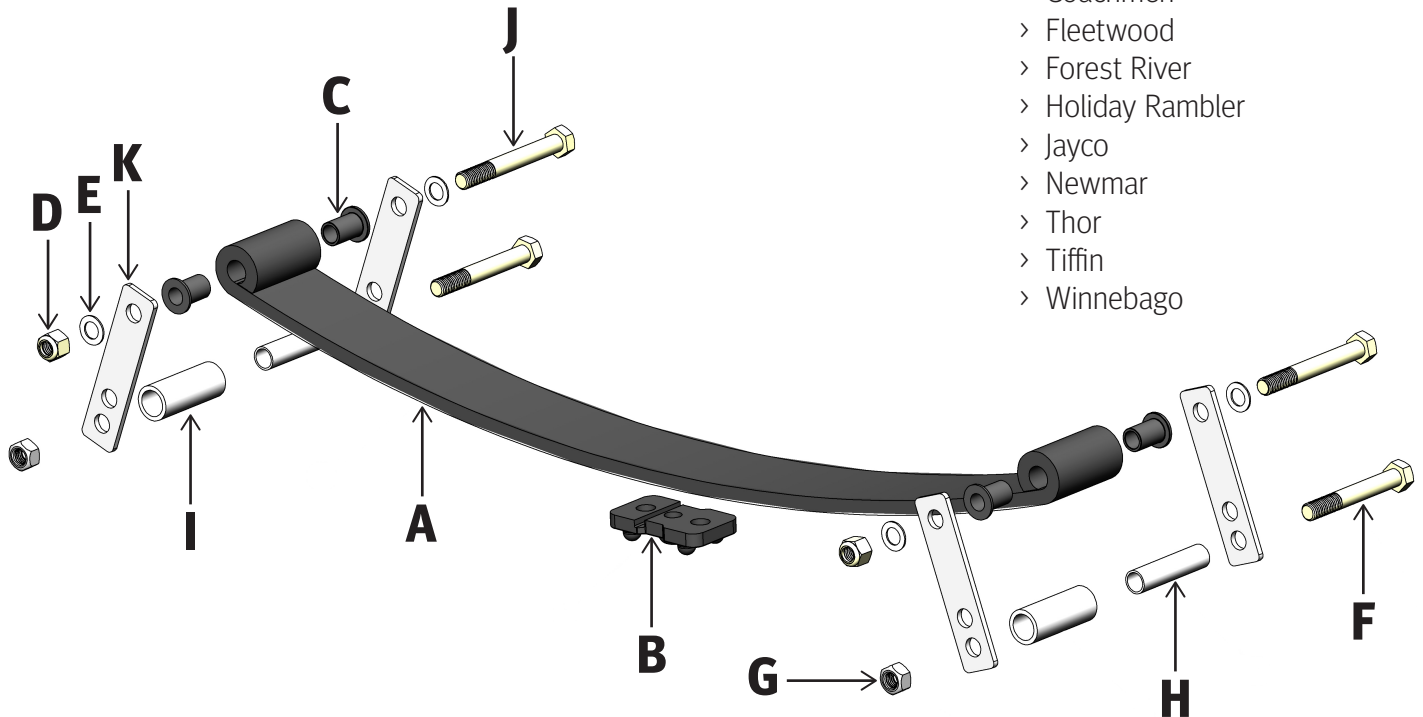
Item	Part #	Description	QTY
A	102041	SSA41 SuperSpring	1
B	PSP-19	Polyurethane Spring Pad	1
C	112160	Polyurethane Bushing	4
D	112145	3/4-10 Nylock Nut Grade 8	2
E	112146	3/4" Nylon Flat Washer	4
F	112166	3/4-10 x 5 1/2" Hex Bolt Grade 8	2
G	1121180	3/4-10 Top Lock Nut	2
H	112191	Steel Sleeve	2
I	112192	Steel Roller	2
J	112193	3/4-10 x 6" Hex Bolt Grade 8	2
K	122406	Shackle Leg 3 Holes	4

PRIMARY APPLICATIONS

- > Ford F53 4 X 2 (2011 - present)
- > Ford F53 4 X 2 (2006 - 2009)
- > Ford F53 4 X 2 (1999 - 2004)
- > Ford F53 4 X 2 (1990 - 1997)

THIS APPLICATION FITS THE FOLLOWING 16K-18K, 20K-22K, & 24K-26K GVWR MODELS:

- > Coachmen
- > Fleetwood
- > Forest River
- > Holiday Rambler
- > Jayco
- > Newmar
- > Thor
- > Tiffin
- > Winnebago



Part Number: SSA41.5

Product Line: SUPERSPRINGS

Page 1

Questions or Concerns?

Scan here:



or visit:
superspringsinternational.com

SAFETY NOTICE: We recommend installation be done by a professional or persons with sound mechanical knowledge.

WARNING: These instructions are a general guide for installation. SuperSprings International (SSI) assumes no liability for the actual installation process. Consumers and installers should apply common automotive safety practices when raising and working on any vehicle. **Do not put yourself in a position where, if the vehicle were to move unexpectedly, you may be injured.** SSI's products are designed to improve vehicle ride quality. Do not load any vehicle beyond the manufacturer's specifications.

Never exceed the manufacturer's Gross Vehicle Rating (GVWR) located on your vehicles identification tag.

BEFORE INSTALLATION: Ensure the vehicle is on a hard level surface, the parking brake is ON, with the ignition OFF, and place chocks in front of and behind the tires to prevent the vehicle from moving.

DURING AND/OR AFTER INSTALLATION: Ensure emergency brake cables are not touching the SSI products. Secure any cables out of the way with zip ties or by re-routing. Ensure all A/C lines, brake cables, and frame are clear of contact or interference.

PART NUMBER
SSA41.5



INSTALLATION

1. Positioning the vehicle – Vehicle must be on level solid surface. Ensure emergency brake is ON and Ignition is OFF. Chock both front and rear of the front tires to prevent the vehicle from moving.
2. Jack up vehicle – elevate and support the frame securing with jack stands so that the axle is hanging with tires slightly off the ground. Wheel removal is suggested ONLY where bodies are mounted.
3. The SSA41 does not have a dedicated front and rear. However, the threaded ends of the spring eye and roller bolts should be pointing outboard, away from the frame.
4. Remove Shackle Roller Assemblies – Using 1 1/16" and 1 1/8" tools, wrenches / sockets / ratchet, remove and set aside the bolts [ITEM F] and nuts [ITEM G] retaining the rollers [ITEM I] and sleeves [ITEM H] from the front and rear of the shackles. Rotate the shackles [ITEM K] toward the center and parallel to the spring.
5. PSP Install - Place PSP-19 [ITEM B] on top of the factory spring-plate, centered between the u-bolts. The flat side should be facing up.
6. Place the SuperSpring on top of the PSP [ITEM B] above the OE leaf pack. Ensure that threaded ends of the spring eye bolts are facing outboard, away from the frame.
7. Shackle Attachment - Note: The top/spring eye shackle bolts are factory pre-torqued; no adjustment/further tightening is needed. If any are loosened by the installer then re-torque to 30 ft. lbs.

Shackle Attachment Front - Rotate the front shackles legs

down on both sides of the leaf spring. Using ITL-1 or other high capacity clamp(s), compress the SuperSprings and factory leaf pack together. Place the Sleeve [ITEM H] and the Roller [ITEM I] between the Shackles and align with desired preload holes. Secure with 3/4-10 x 5 1/2" Hex bolt [ITEM F] and 3/4-10 Top Lock Nut [ITEM G]. Torque to 35 ft. lbs. Ensure there is clearance on all sides of the shackle.

Shackle Attachment Rear – Rotate the rear shackles legs down on both sides of the leaf spring. Using ITL-1 or other high capacity clamp(s), compress the SuperSprings and factory leaf pack together. Place the Sleeve [ITEM H] and the Roller [ITEM I] between the Shackles and align with desired preload holes. Secure with 3/4-10 x 5 1/2" Hex bolt [ITEM F] and 3/4-10 Top Lock Nut [ITEM G]. Torque to 35 ft. lbs.

8. Adjust spring location front to back so that the Rollers have minimum 1/2" of clearance from spring clamps or the end of the next shorter leaf. Also confirm that there is adequate clearance around the SuperSpring from the frame, brake lines, harnesses, etc.

9. Lower the vehicle – elevate chassis, remove the jack stands, lower to the ground. Remove wheel chocks from front wheels.

10. Final Check – Check the position of the SuperSprings ensuring for correct hardware application and orientation. Observe all hardware ensuring for static and dynamic interference clearances. Recheck all hardware to ensure it is securely tightened.

11. Register the warranty for your SuperSprings International part. A warranty card can be found in the box your part came in.

Part Number: SSA41.5

Product Line: SUPERSPRINGS

Page 2

Questions or Concerns?

Scan here:



or visit:
superspringsinternational.com

SAFETY NOTICE: We recommend installation be done by a professional or persons with sound mechanical knowledge.

WARNING: These instructions are a general guide for installation. SuperSprings International (SSI) assumes no liability for the actual installation process. Consumers and installers should apply common automotive safety practices when raising and working on any vehicle. **Do not put yourself in a position where, if the vehicle were to move unexpectedly, you may be injured.** SSI's products are designed to improve vehicle ride quality. Do not load any vehicle beyond the manufacturer's specifications.

Never exceed the manufacturer's Gross Vehicle Rating (GVWR) located on your vehicles identification tag.

BEFORE INSTALLATION: Ensure the vehicle is on a hard level surface, the parking brake is ON, with the ignition OFF, and place chocks in front of and behind the tires to prevent the vehicle from moving.

DURING AND/OR AFTER INSTALLATION: Ensure emergency brake cables are not touching the SSI products. Secure any cables out of the way with zip ties or by re-routing. Ensure all A/C lines, brake cables, and frame are clear of contact or interference.

REV. 2.01 | OCT 2023