

PART NUMBER  
**SSA42**



SCAN HERE: To watch a video of this installation



## BEFORE YOU BEGIN

### TOOLS REQUIRED

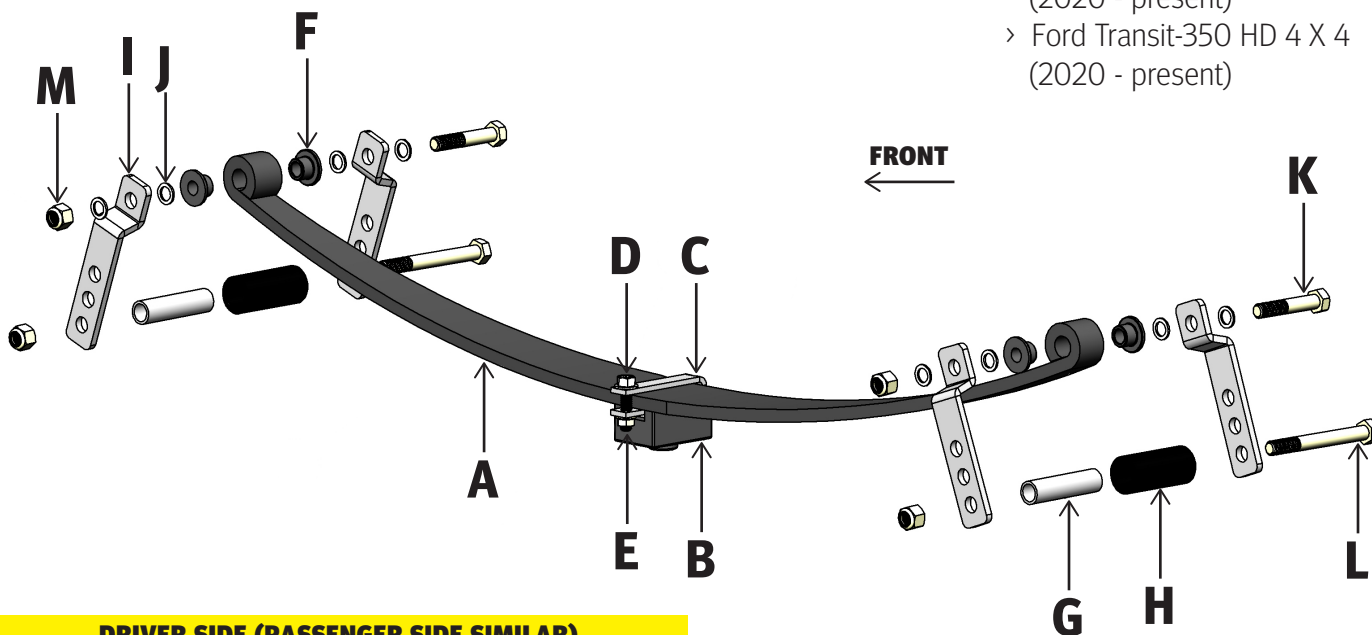
- > Floor Jack
- > Safety Jack Stands
- > Wheel Chocks
- > ¾" Wrench/Socket
- > Heavy Duty Clamps or SuperSprings Installation Tool

### PARTS LIST

Item	Part #	Description	QTY
A	102011	SSA42 Leaf Spring	2
B	PSP-10	Polyurethane Spring Pad	2
C	112251	Spring Clamp	2
D	512301	3/8-16 x 1 ½" Flange Bolt	2
E	512302	3/8 Locking Flange Nut	2
F	112140	Polyurethane Bushing	8
G	112129	Steel Sleeve	4
H	112189	HDPE Roller	4
I	122414	Shackle Leg 4 Holes	8
J	112127	½" Nylon Washer	16
K	112124	½-13 x 2 ¾" Hex Bolt	4
L	112125	½-13 x 4 ½" Hex Bolt	4
M	112126	½-13 Nylock Nut	8

### PRIMARY APPLICATIONS

- > Ford Transit-150 4 X 2 (2015 - present)
- > Ford Transit-250 4 X 2 (2015 - present)
- > Ford Transit-350 4 X 2 (2015 - present)
- > Ford Transit-350 HD 4 X 2 (2015 - present)
- > Ford Transit-150 4 X 4 (2020 - present)
- > Ford Transit-250 4 X 4 (2020 - present)
- > Ford Transit-350 4 X 4 (2020 - present)
- > Ford Transit-350 HD 4 X 4 (2020 - present)



**DRIVER SIDE (PASSENGER SIDE SIMILAR)**

Part Number: SSA42

Product Line: SUPERSPRINGS

Page 1

SuperSprings  
International, Inc.  
505 Maple Avenue  
Carpenteria, CA 93013

Installation Support  
+1 (800) 898-0705  
support@supersprings.com

superspringsint.com

**SAFETY NOTICE:** We recommend installation be done by a professional or persons with sound mechanical knowledge.

**WARNING:** These instructions are a general guide for installation. SuperSprings International, Inc. assumes no liability for the actual installation process. Consumers and installers should apply common automotive safety practices when raising and working on any vehicle. **Do not put yourself in a position where, if the vehicle were to move unexpectedly, you may be injured.** SuperSprings' products are designed to improve vehicle ride quality. Do not load any vehicle beyond the manufacturer's specifications.

Never exceed the manufacturer's Gross Vehicle Rating (GVWR) located on your vehicles identification tag.

**BEFORE INSTALLATION:** Ensure the vehicle is on a level surface, the parking brake is ON, with the ignition OFF, and place blocks in front of and behind the front tires to prevent the vehicle from moving.

**DURING AND/OR AFTER INSTALLATION:** Ensure emergency brake cables are not touching the SuperSprings. Secure any cables out of the way with zip ties or by re-routing. Ensure all A/C lines, brake cables, and frame are clear of contact or interference.

REV. 2.02 | APR 2022

PART NUMBER  
**SSA42**



**IMPORTANT NOTICE:** Your part may have been loosely preassembled to show the final product as it will be once installed on your vehicle. Please disassemble the product before proceeding to the installation.

**INSTALLATION**

1. Positioning the vehicle – Vehicle must be on level solid surface. Ensure emergency brake is ON and Ignition is OFF. Place chocks in front and rear of the front tires to prevent the vehicle from moving.
2. Jacking up vehicle – Jack up the vehicle and support the frame with jack stands so that the axle is hanging with tires slightly off the ground. You may remove the wheel for easier installation access but it is not required.
3. Remove Shackle Bolts and Rollers – Using a 3/4" wrench and a 3/4" socket and ratchet, remove the bolts, nuts and roller assemblies from the front and rear of the shackles and set aside. Rotate the shackles toward the center and parallel to the SuperSprings.
4. Mount the SuperSprings on top of the factory spring-plate – Take note of the position labels on the SuperSprings. They are Driver Side and Passenger Side specific and the end with the label MUST go toward the front of the vehicle.
  - A. Slip the SuperSprings with attached Spring Pad through the wheel well or slide it in from behind the vehicle, positioning the Spring Pad into the trough on top of the factory spring-plate with the open end of the clip with bolt attachment toward the wheel (open end of clip away from frame). This will also ensure that the threaded ends of the shackle bolts are also toward the wheel (away from the frame).
5. Attach front shackle – Rotate the front shackle legs down on both sides of the factory spring-pack. Using ITL-1 / ITL-8 or other high capacity clamps, compress the SuperSprings and factory leaf pack together so that the rollers and hardware can be installed below the bottom leaf. Ensure that the threads of the bolts are facing out away from the frame.
  - A. On vehicles with STAMPED steel leaf spring mounts, either the lower (less preload) or middle hole may be used.
  - B. On vehicles with CAST steel leaf spring mounts, the middle hole MUST be used.
  - C. The top shackle bolts and nuts are torqued at the factory and should not be tightened.

<b>Part Number: SSA42</b>		<b>Product Line: SUPERSPRINGS</b>		<b>Page 2</b>
SuperSprings International, Inc. 505 Maple Avenue Carpinteria, CA 93013  <b>Installation Support</b> +1 (800) 898-0705 support@supersprings.com  superspringsint.com	<b>SAFETY NOTICE:</b> We recommend installation be done by a professional or persons with sound mechanical knowledge.	Never exceed the manufacturer's Gross Vehicle Rating (GVWR) located on your vehicles identification tag.		
	<b>WARNING:</b> These instructions are a general guide for installation. SuperSprings International, Inc. assumes no liability for the actual installation process. Consumers and installers should apply common automotive safety practices when raising and working on any vehicle. <b>Do not put yourself in a position where, if the vehicle were to move unexpectedly, you may be injured.</b> SuperSprings' products are designed to improve vehicle ride quality. Do not load any vehicle beyond the manufacturer's specifications.	<b>BEFORE INSTALLATION:</b> Ensure the vehicle is on a level surface, the parking brake is ON, with the ignition OFF, and place blocks in front of and behind the front tires to prevent the vehicle from moving.	<b>DURING AND/OR AFTER INSTALLATION:</b> Ensure emergency brake cables are not touch-ing the SuperSprings. Secure any cables out of the way with zip ties or by re-routing. Ensure all A/C lines, brake cables, and frame are clear of contact or interference.	
		REV. 2.02   APR 2022		

PART NUMBER

**SSA42**



**IMPORTANT NOTICE:** Your part may have been loosely preassembled to show the final product as it will be once installed on your vehicle. Please disassemble the product before proceeding to the installation.

**INSTALLATION**

6. Attach rear shackle – Rotate the rear shackles legs down on both side of the leaf spring. Using ITL-1 / ITL-8 or other high capacity clamps, compress the SuperSprings and factory leaf pack together so that the rollers and hardware can be installed below the bottom leaf. Ensure that the threads of the bolts are facing out away from the frame.
  - A. On vehicles with STAMPED steel leaf spring mounts, either the lower or middle hole may be used.
  - B. On vehicles with CAST steel leaf spring mounts, the middle hole **MUST** be used.
  - C. The top shackle bolts and nuts are torqued at the factory and should not be tightened.
7. Repeat steps 3 through 6 on the other side.
8. Lower the vehicle – Jack up the vehicle, remove the jack stands, then lower the vehicle to the ground. Remove the chocks from front and rear of the front wheels.
9. Final Check – Check that the position of the SuperSprings ensures there is sufficient clearance from any frame contact both horizontally and vertically.
10. Register the warranty for your SuperSprings International part. A warranty card can be found in the box your part came in.

**Part Number: SSA42**

**Product Line: SUPERSPRINGS**

**Page 3**

SuperSprings  
International, Inc.  
505 Maple Avenue  
Carpenteria, CA 93013

Installation Support  
+1 (800) 898-0705  
support@supersprings.com

superspringsint.com

**SAFETY NOTICE:** We recommend installation be done by a professional or persons with sound mechanical knowledge.

**WARNING:** These instructions are a general guide for installation. SuperSprings International, Inc. assumes no liability for the actual installation process. Consumers and installers should apply common automotive safety practices when raising and working on any vehicle. **Do not put yourself in a position where, if the vehicle were to move unexpectedly, you may be injured.** SuperSprings' products are designed to improve vehicle ride quality. Do not load any vehicle beyond the manufacturer's specifications.

**Never exceed the manufacturer's Gross Vehicle Rating (GVWR) located on your vehicles identification tag.**

**BEFORE INSTALLATION:** Ensure the vehicle is on a level surface, the parking brake is ON, with the ignition OFF, and place blocks in front of and behind the front tires to prevent the vehicle from moving.

**DURING AND/OR AFTER INSTALLATION:** Ensure emergency brake cables are not touch-ing the SuperSprings. Secure any cables out of the way with zip ties or by re-routing. Ensure all A/C lines, brake cables, and frame are clear of contact or interference.

REV. 2.02 | APR 2022