

PRIMARY APPLICATION

CHEVROLET

- Silverado 4500 4 X 2 (2019)
- Silverado 4500 4 X 4 (2019)
- Silverado 5500 4 X 2 (2019)
- Silverado 5500 4 X 4 (2019)
- Silverado 6500 4 X 2 (2019)
- Silverado 6500 4 X 4 (2019)

INTERNATIONAL

- CV515 4 X 2 (2019)
- CV515 4 X 4 (2019)

TOOLS REQUIRED

- 1 Floor Jack
- 2 Jack Stands
- 4 Wheel Blocks
- 1 7/32 Allen wrench
- 1 9/16" wrench/socket

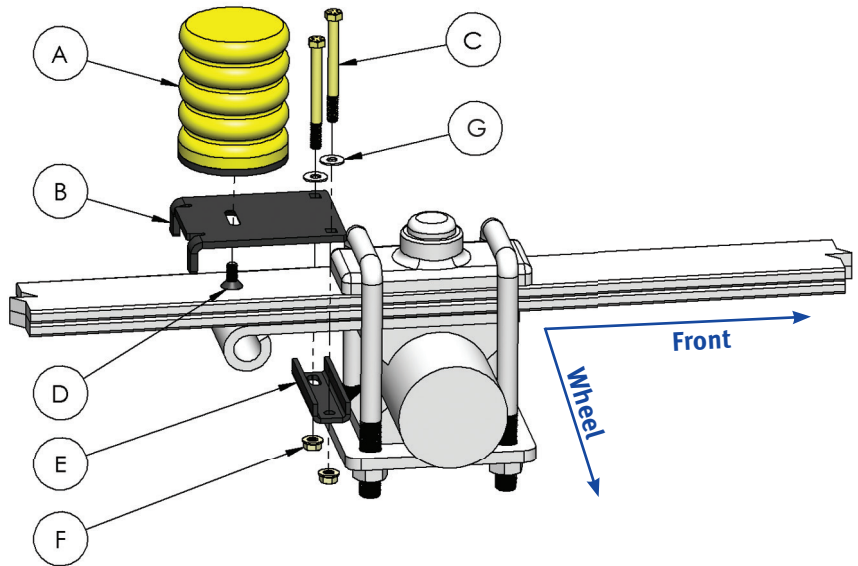
PARTS LIST

Item	QTY	Part#	Description
A	2	511404-38	SumoSprings (-54) yellow
B	2	512040	Lower Bracket
C	4	512247-8	3/8" x 4" Hex Head Bolts
D	2	512245	3/8" x 7/8" Flat-Head Cap Screw
E	2	512047	Lower Bracket U-Strap
F	4	512302	3/8" Locking Flange Nut
G	4	512244	Flat Washer
H	2	512117	4" x 1" Spacer (not in diagram)
I	2	512299	3/8" x 2" Flat-Head Cap Screw (not in diagram)
J	1	512239	Loctite sachet (not in diagram)

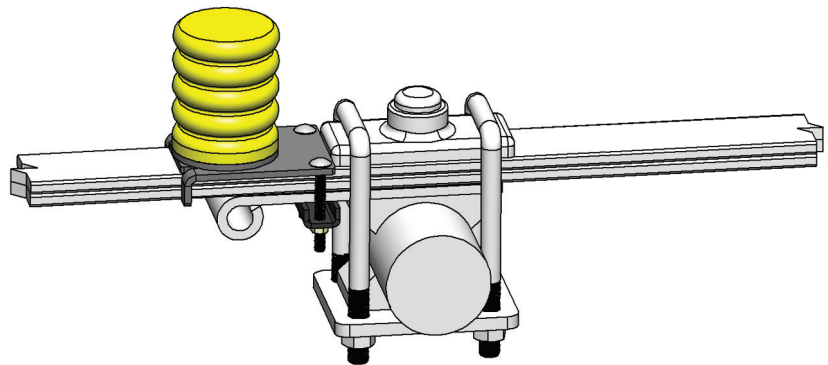
APPROXIMATE INSTALL TIME

🕒 1 hour

**Passenger Side
(Driver's Side Similar)**



**Passenger Side Installed
(Driver's Side Similar)**



SuperSprings International, Inc.

505 Maple Avenue
Carpinteria, CA 93013

Technical Support

+1 (805) 745-5553
tech@supersprings.com

supersprings.com



Never exceed the manufacturer's Gross Vehicle Weight Rating (GVWR) located on your vehicle's identification tag.

SAFETY NOTICE: We recommend installation be done by a professional or persons with sound mechanical knowledge.

WARNING: These instructions are a general guide for installation. SuperSprings International, Inc. assumes no liability for the actual installation process. Consumers and installers should apply common automotive safety practices when raising and working on any vehicle. **Do not put yourself in a position where, if the vehicle were to move**

unexpectedly, you may be injured. SuperSprings' products are designed to improve vehicle ride quality. Do not load any vehicle beyond the manufacturer's specifications.

BEFORE INSTALLATION: Ensure the vehicle is on a level surface, the parking brake is ON, with the ignition OFF, and place blocks in front of and behind the front tires to prevent the vehicle from moving.

DURING AND/OR AFTER INSTALLATION: Ensure emergency brake cables are not touching the SuperSprings. Secure any cables out of the way with zip ties or by re-routing. **Ensure all A/C lines, brake cables and frame are clear of contact or interference.**

1. Park vehicle on a level hard surface. Engage emergency brake. Place blocks in front and behind rear wheels to prevent rolling. Observe all safety precautions and wear safety glasses.
2. Raise front of vehicle allowing the axle to hang freely. Support the frame using safety jack stands.
3. Starting on the passenger's side, attach the **SumoSprings (ITEM A)** to the **Lower Bracket (ITEM B)** using the **3/8" x 7/8" Flat-Head Cap Screw (ITEM D)** after applying a drop of Loctite to the threads of the screw. Center the bolt in the slot of the bracket.

If more preload is desired, place the **4" x 1" Spacer (ITEM H)** between the **SumoSprings** and **Lower Bracket (ITEM B)** and fasten together with the **3/8" x 2" Flat-Head Cap Screw (ITEM I)**.

4. Torque the bolt to 20 ft. lbs.
5. Place the Lower Bracket with attached SumoSprings on top of the factory leaf pack just behind the axle. Be sure to place the flange for the mounting bolts toward the front and the notch for the leaf spring to the rear.
6. Slide the bracket forward so that the edge of the bracket is in contact with the top spring plate.
7. Place the two **Flat Washers (ITEM G)** on the two **3/8" x 4" Bolts (ITEM C)** and install the bolts through the holes in the mounting bracket.
8. Slide the **Lower Bracket U-Strap (ITEM E)** over the ends of the carriage bolts ensuring that the "U" shape is facing up.
9. Fasten securely using the two **3/8" Locking Flange Nuts (ITEM F)**.
10. Tighten the nuts evenly and torque to 32 ft. lbs.
11. Repeat steps three through eight on the driver's side of the vehicle.
12. Jack up vehicle, remove safety jack stands.
13. Carefully lower vehicle to the hard surface. Remove the blocks in front and back of the rear wheels.
14. Release emergency brake.
15. Fill out warranty information at: supersprings.com/warranty/

SuperSprings International, Inc.

505 Maple Avenue
Carpinteria, CA 93013

Technical Support

+1 (805) 745-5553
tech@supersprings.com

supersprings.com



Never exceed the manufacturer's Gross Vehicle Weight Rating (GVWR) located on your vehicle's identification tag.

SAFETY NOTICE: We recommend installation be done by a professional or persons with sound mechanical knowledge.

WARNING: These instructions are a general guide for installation. SuperSprings International, Inc. assumes no liability for the actual installation process. Consumers and installers should apply common automotive safety practices when raising and working on any vehicle. **Do not put yourself in a position where, if the vehicle were to move**

unexpectedly, you may be injured. SuperSprings' products are designed to improve vehicle ride quality. Do not load any vehicle beyond the manufacturer's specifications.

BEFORE INSTALLATION: Ensure the vehicle is on a level surface, the parking brake is ON, with the ignition OFF, and place blocks in front of and behind the front tires to prevent the vehicle from moving.

DURING AND/OR AFTER INSTALLATION: Ensure emergency brake cables are not touching the SuperSprings. Secure any cables out of the way with zip ties or by re-routing. **Ensure all A/C lines, brake cables and frame are clear of contact or interference.**