

PART NUMBER

SSF-280-47



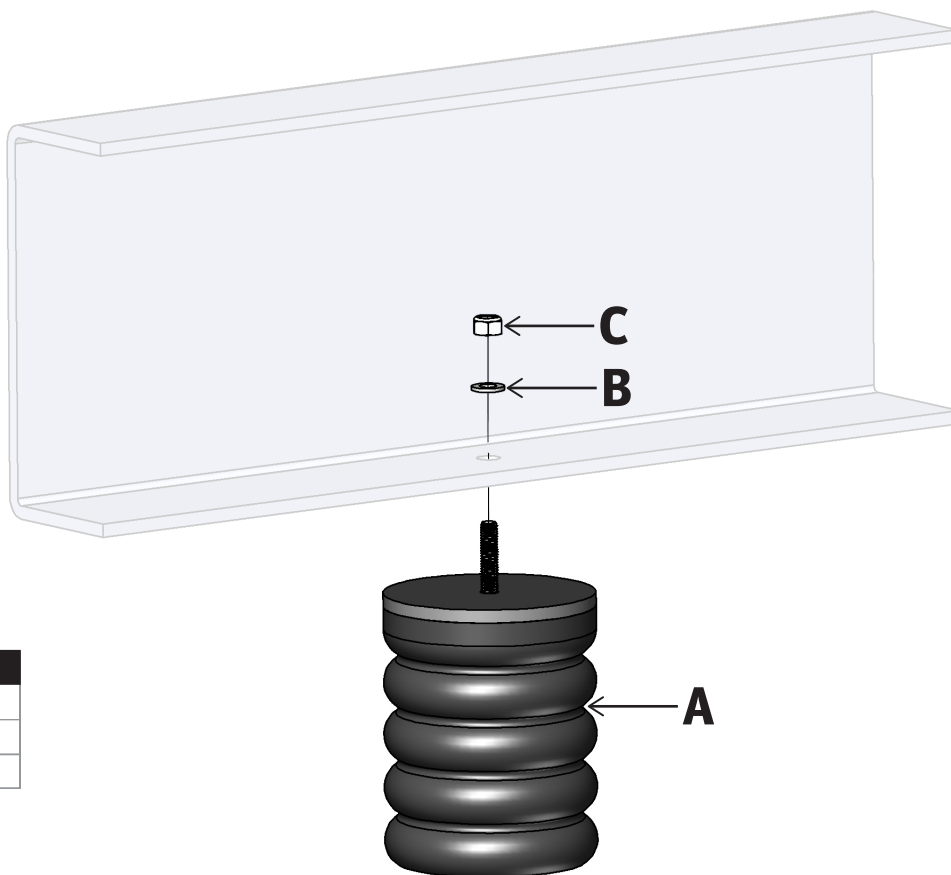
BEFORE YOU BEGIN

PRIMARY APPLICATIONS

- > Workhorse W20 4 X 2
(2001 - 2009)
- > Workhorse W22 4 X 2
(2001 - 2009)
- > Workhorse W24 4 X 2
(2004 - 2009)

TOOLS REQUIRED

- > Floor Jack
- > Jack Stands
- > Wheel Chocks
- > 13mm Socket/Wrench
- > Ratchet



PARTS LIST

Item	Part #	Discription	QTY
A	511420	SumoSprings Black -47	2
B	512215	M8 Flat Washer	2
C	512219	M8 Nyloc Nut	2

DRIVER SIDE (PASSENGER SIDE SIMILAR)

Part Number: SSF-280-47

Product Line: SUMOSPRINGS FRONT

Page 1

SuperSprings
International, Inc.
505 Maple Avenue
Carpenteria, CA 93013

Installation Support
+1 (800) 898-0705
support@supersprings.com

superspringsint.com

SAFETY NOTICE: We recommend installation be done by a professional or persons with sound mechanical knowledge.

WARNING: These instructions are a general guide for installation. SuperSprings International, Inc. assumes no liability for the actual installation process. Consumers and installers should apply common automotive safety practices when raising and working on any vehicle. **Do not put yourself in a position where, if the vehicle were to move unexpectedly, you may be injured.** SuperSprings' products are designed to improve vehicle ride quality. Do not load any vehicle beyond the manufacturer's specifications.

Never exceed the manufacturer's Gross Vehicle Rating (GVWR) located on your vehicles identification tag.

BEFORE INSTALLATION: Ensure the vehicle is on a level surface, the parking brake is ON, with the ignition OFF, and place blocks in front of and behind the front tires to prevent the vehicle from moving.

DURING AND/OR AFTER INSTALLATION: Ensure emergency brake cables are not touch-ing the SuperSprings. Secure any cables out of the way with zip ties or by re-routing. Ensure all A/C lines, brake cables, and frame are clear of contact or interference.

REV. 2.0 | FEB 2022

PART NUMBER

SSF-280-47



IMPORTANT NOTICE: Your part may have been loosely preassembled to show the final product as it will be once installed on your vehicle. Please disassemble the product before proceeding to the installation.

INSTALLATION

1. Park vehicle on level hard surface. Engage emergency brake. Place chocks in front and behind the rear wheels to prevent rolling. Observe all safety precautions and wear safety glasses.
2. Raise front of vehicle allowing the axle to hang freely. Support the frame using safety jack stands.
3. Remove existing factory Bump Stop assembly from the frame.
4. Insert the stud on the end of the SumoSpring [ITEM A] into the hole in the frame where the factory Bump Stop was located. Install the M8 Flat Washer [ITEM B] and M8 Nyloc Nut [ITEM C] on top of the stud and tighten securely.
5. Repeat steps 3 through 4 on the other side of the vehicle.
6. Jack up vehicle, remove safety jack stands.
7. Carefully lower vehicle to the hard surface. Remove the chocks in front and back of the rear wheels.
8. Release emergency brake.
9. Register the warranty for your SuperSprings International part. A warranty card can be found in the box your part came in.

Part Number: SSF-280-47

Product Line: SUMOSPRINGS FRONT

Page 2

SuperSprings International, Inc.
505 Maple Avenue
Carpenteria, CA 93013

Installation Support
+1 (800) 898-0705
support@supersprings.com

superspringsint.com

SAFETY NOTICE: We recommend installation be done by a professional or persons with sound mechanical knowledge.

WARNING: These instructions are a general guide for installation. SuperSprings International, Inc. assumes no liability for the actual installation process. Consumers and installers should apply common automotive safety practices when raising and working on any vehicle. **Do not put yourself in a position where, if the vehicle were to move unexpectedly, you may be injured.** SuperSprings' products are designed to improve vehicle ride quality. Do not load any vehicle beyond the manufacturer's specifications.

Never exceed the manufacturer's Gross Vehicle Rating (GVWR) located on your vehicles identification tag.

BEFORE INSTALLATION: Ensure the vehicle is on a level surface, the parking brake is ON, with the ignition OFF, and place blocks in front of and behind the front tires to prevent the vehicle from moving.

DURING AND/OR AFTER INSTALLATION: Ensure emergency brake cables are not touching the SuperSprings. Secure any cables out of the way with zip ties or by re-routing. Ensure all A/C lines, brake cables, and frame are clear of contact or interference.

REV. 2.0 | FEB 2022