

PART NUMBER

**SSF-402-54**



SCAN HERE: To watch a video of this installation



**BEFORE YOU BEGIN**

**PRIMARY APPLICATIONS**

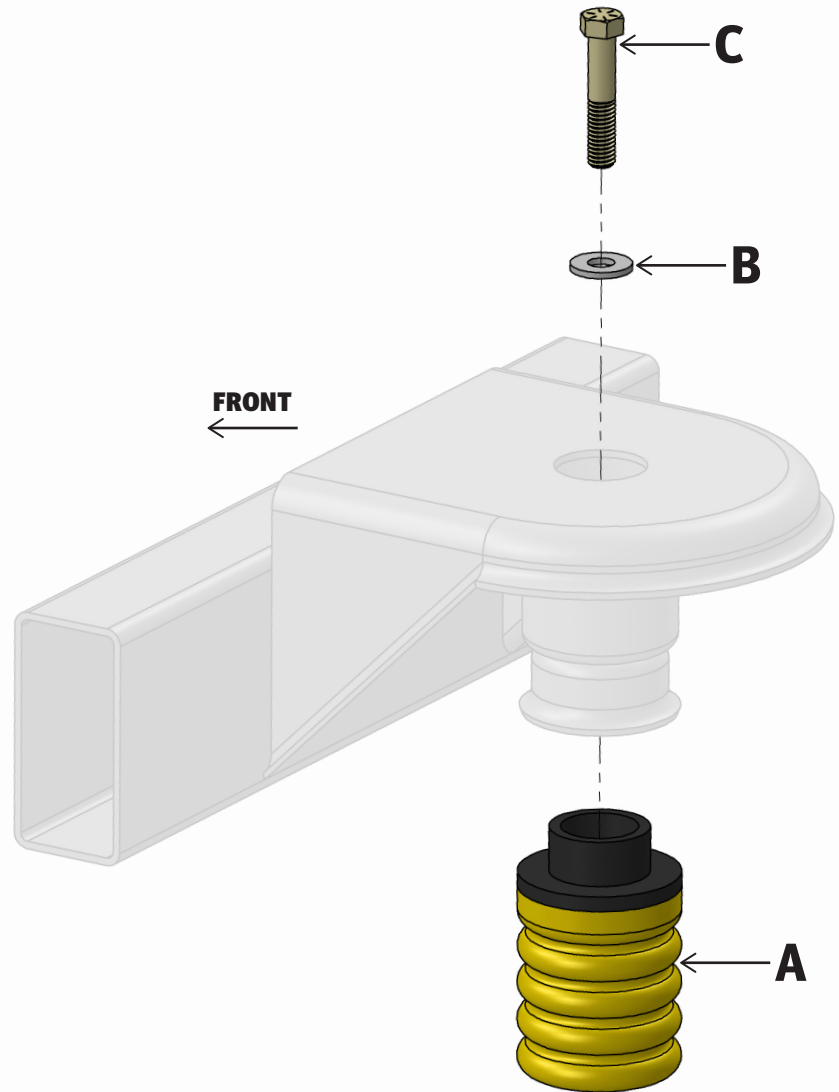
- > Jeep Wrangler 4 X 4  
(2007 - present)
- > Jeep Gladiator 4 X 4  
(2020 - present)
- > Dodge Sprinter 2500 4 X 2  
(2004 - 2006)
- > Dodge Sprinter 3500 4 X 2  
(2004 - 2006)
- > Freightliner Sprinter 2500 4 X 2  
(2002 - 2006)
- > Freightliner Sprinter 3500 4 X 2  
(2002 - 2006)

**PARTS LIST**

Item	Part #	Description	QTY
A	511450	SumoSprings Yellow -54	2
B	512227	3/8 Flat Washer	2
C	512305	7/16-14 x 2 1/4" Hex Bolt	2

**TOOLS REQUIRED**

- > Floor Jack
- > Jack Stands
- > Wheel Chocks
- > Sockets and Wrench



**DRIVER SIDE (PASSENGER SIDE SIMILAR)**

**Part Number: SSF-402-54**

**Product Line: SUMOSPRINGS FRONT**

**Page 1**

SuperSprings  
International, Inc.  
505 Maple Avenue  
Carpenteria, CA 93013

Installation Support  
+1 (800) 898-0705  
support@supersprings.com

superspringsint.com

**SAFETY NOTICE:** We recommend installation be done by a professional or persons with sound mechanical knowledge.

**WARNING:** These instructions are a general guide for installation. SuperSprings International, Inc. assumes no liability for the actual installation process. Consumers and installers should apply common automotive safety practices when raising and working on any vehicle. **Do not put yourself in a position where, if the vehicle were to move unexpectedly, you may be injured.** SuperSprings' products are designed to improve vehicle ride quality. Do not load any vehicle beyond the manufacturer's specifications.

Never exceed the manufacturer's Gross Vehicle Rating (GVWR) located on your vehicles identification tag.

**BEFORE INSTALLATION:** Ensure the vehicle is on a level surface, the parking brake is ON, with the ignition OFF, and place blocks in front of and behind the front tires to prevent the vehicle from moving.

**DURING AND/OR AFTER INSTALLATION:** Ensure emergency brake cables are not touching the SuperSprings. Secure any cables out of the way with zip ties or by re-routing. Ensure all A/C lines, brake cables, and frame are clear of contact or interference.

REV. 2.0 | APR 2022

PART NUMBER

**SSF-402-54**



**IMPORTANT NOTICE:** Your part may have been loosely preassembled to show the final product as it will be once installed on your vehicle. Please disassemble the product before proceeding to the installation.

**INSTALLATION**

1. Park the vehicle on a hard, level surface and engage the emergency brake. Place chocks in front and behind wheels to prevent rolling. Observe all safety precautions and wear safety glasses.

**For Jeep Applications:**

2. Raise the front of the Jeep, allowing the axle to hang freely. Support the frame using safety jack stands and remove the front wheels.
3. Disconnect the sway bar and shocks from the axle, then disconnect the draglink from the pitman arm.
4. Lower the axle far enough to remove the front coil so that you can remove the existing factory bump stop from the frame.
5. Install the top bracket of the SumoSPring into the bump stop mounting cup on frame and attach it with the 3/8 Flat Washer [ITEM B] and 7/16-14 x 2 1/4" Hex Bolt [ITEM C].
6. Reinstall the coil and reattach the draglink, shocks, and sway bar. (Continue to Step 7)

**For Sprinter Applications:**

2. Unbolt the factory bump stop from the frame.
3. Insert the 7/16-14 x 2 1/4" Hex Bolt [ITEM C] through the 3/8 Flat Washer [ITEM B] and then down through the existing bump stop hole in the frame.
4. Thread on the SumoSPring [ITEM A] and tighten securely. (Continue to Step 7)
7. Raise the vehicle to allow room to remove the safety jack stands. If front wheels were removed you can now reinstall the front wheels and torque wheel nuts to manufacturers specifications.
8. Carefully lower vehicle to the hard surface and remove the chocks from the wheels.
9. Register the warranty for your SuperSprings International part. A warranty card can be found in the box your part came in.

**Part Number: SSF-402-54**

**Product Line: SUMOSPRINGS FRONT**

**Page 2**

SuperSprings  
International, Inc.  
505 Maple Avenue  
Carpenteria, CA 93013

Installation Support  
+1 (800) 898-0705  
support@supersprings.com

superspringsint.com

**SAFETY NOTICE:** We recommend installation be done by a professional or persons with sound mechanical knowledge.

**WARNING:** These instructions are a general guide for installation. SuperSprings International, Inc. assumes no liability for the actual installation process. Consumers and installers should apply common automotive safety practices when raising and working on any vehicle. **Do not put yourself in a position where, if the vehicle were to move unexpectedly, you may be injured.** SuperSprings' products are designed to improve vehicle ride quality. Do not load any vehicle beyond the manufacturer's specifications.

**Never exceed the manufacturer's Gross Vehicle Rating (GVWR) located on your vehicles identification tag.**

**BEFORE INSTALLATION:** Ensure the vehicle is on a level surface, the parking brake is ON, with the ignition OFF, and place blocks in front of and behind the front tires to prevent the vehicle from moving.

**DURING AND/OR AFTER INSTALLATION:** Ensure emergency brake cables are not touch-ing the SuperSprings. Secure any cables out of the way with zip ties or by re-routing. Ensure all A/C lines, brake cables, and frame are clear of contact or interference.

REV. 2.0 | APR 2022