

PART NUMBER

SSR-146-40/47



SCAN HERE: To watch a video of this installation



BEFORE YOU BEGIN

PRIMARY APPLICATIONS

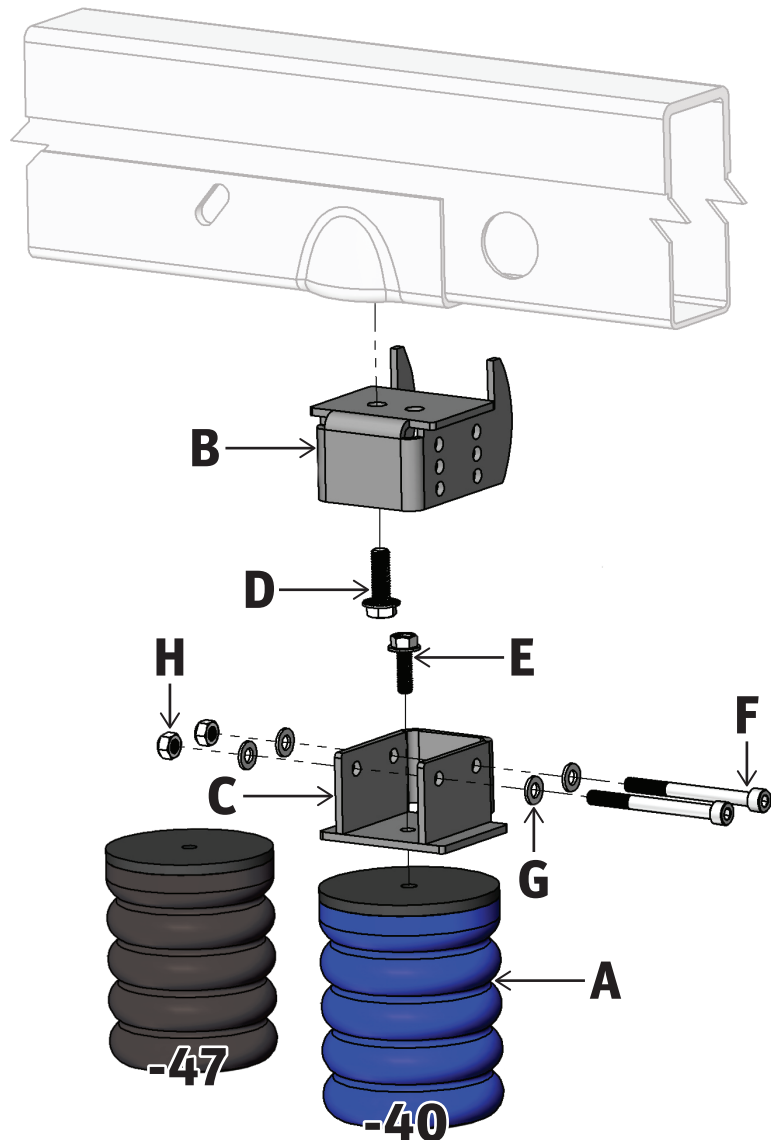
- > Ford F-150 4 X 2
(2019 - present)
- > Ford F-150 4 X 4
(2019 - present)
- *NOT for Raptor Models

PARTS LIST

Item	Part #	Description	QTY
A	511440	SumoSprings Blue -40	2
	511421	SumoSprings Black -47	
B	512173	Frame Mounting Bracket	2
C	512174	SumoSpring Mounting Bracket	2
D	512312	M10-1.5 x 30mm Flange Bolt	2
E	512283	M8-1.25 x 25mm Flange Bolt	2
F	512371	M8-1.25 x 90mm SHCS	4
G	512215	M8 Flat Washer	8
H	512219	M8 Lock Nut	4

TOOLS REQUIRED

- > Floor Jack
- > Jack Stands
- > Wheel Chocks
- > 12, 13 & 15mm Wrenches
- > 12, 13 & 15mm Sockets
- > 6mm Allen Key



DRIVER SIDE (PASSENGER SIDE SIMILAR)

Part Number: SSR-146-40/47

Product Line: SUMOSPRINGS REAR

Page 1

SuperSprings
International, Inc.
505 Maple Avenue
Carpinteria, CA 93013

Installation Support
+1 (800) 898-0705
support@superspringsint.com

superspringsint.com

SAFETY NOTICE: We recommend installation be done by a professional or persons with sound mechanical knowledge.

WARNING: These instructions are a general guide for installation. SuperSprings International, Inc. assumes no liability for the actual installation process. Consumers and installers should apply common automotive safety practices when raising and working on any vehicle. **Do not put yourself in a position where, if the vehicle were to move unexpectedly, you may be injured.** SuperSprings' products are designed to improve vehicle ride quality. Do not load any vehicle beyond the manufacturer's specifications.

Never exceed the manufacturer's Gross Vehicle Rating (GVWR) located on your vehicles identification tag.

BEFORE INSTALLATION: Ensure the vehicle is on a level surface, the parking brake is ON, with the ignition OFF, and place blocks in front of and behind the front tires to prevent the vehicle from moving.

DURING AND/OR AFTER INSTALLATION: Ensure emergency brake cables are not touching the SuperSprings. Secure any cables out of the way with zip ties or by re-routing. Ensure all A/C lines, brake cables, and frame are clear of contact or interference.

REV. 2.01 | NOV 2022

PART NUMBER

SSR-146-40/47



IMPORTANT NOTICE: Your part may have been loosely preassembled to show the final product as it will be once installed on your vehicle. Please disassemble the product before proceeding to the installation.

INSTALLATION

1. Park the vehicle on a hard, level surface and engage the emergency brake. Place chocks in front and behind wheels to prevent rolling. Observe all safety precautions and wear safety glasses.
2. Measure the distance from the bottom of the frame to the top of the axle tube and record this dimension for later.
3. Raise the rear of the vehicle allowing the axle to hang freely and rest the frame on the safety jack stands rated for the weight of the vehicle. Removal of the rear wheels is optional.
4. Starting on the driver side, remove the existing factory bump stop using a 13mm socket.
5. Add a drop of Blue Thread Locker to the M10-1.5 x 30mm Flange Bolt [ITEM D] and attach the Frame Mounting Bracket [ITEM B] to the frame in the same location as the bump stop was previously. Make sure that the locating tangs are on the inside of the frame and use the forward bolt hole in the bracket to center the SumoSPring [ITEM A] over the axle.
6. Add a drop of Blue Thread Locker to the M8-1.25 x 25mm Flange Bolt [ITEM E] and attach the SumoSPring [ITEM A] to the SumoSPring Mounting Bracket [ITEM C].
7. The SumoSPring Mounting Bracket [ITEM C] fits into the Frame Mounting Bracket [ITEM B] with the open side facing outboard as seen in the diagram. Referring to the dimension taken in Step 2, align the holes in the SumoSPring Bracket with the set of holes in the Frame bracket that will allow for ½ to 1" of gap between the bottom of the SumoSPring and the axle tube.
8. Fasten the two brackets together with two M8-1.25 x 90mm SHCS [ITEM F], four M8 Flat Washers [ITEM G], and two M8 Lock Nuts [ITEM H].
9. Repeat steps 3 through 8 on the passenger side of the vehicle.
10. Raise the vehicle, remove safety jack stands, and carefully lower vehicle to the hard surface. Remove the chocks in front and back of the rear wheels.
11. Register the warranty for your SuperSprings International part. A warranty card can be found in the box your part came in.

Part Number: SSR-146-40/47		Product Line: SUMOSPRINGS REAR	Page 2
<p>SuperSprings International, Inc. 505 Maple Avenue Carpinteria, CA 93013</p> <p>Installation Support +1 (800) 898-0705 support@superspringsint.com</p> <p>superspringsint.com</p>	<p>SAFETY NOTICE: We recommend installation be done by a professional or persons with sound mechanical knowledge.</p> <p>WARNING: These instructions are a general guide for installation. SuperSprings International, Inc. assumes no liability for the actual installation process. Consumers and installers should apply common automotive safety practices when raising and working on any vehicle. Do not put yourself in a position where, if the vehicle were to move unexpectedly, you may be injured. SuperSprings' products are designed to improve vehicle ride quality. Do not load any vehicle beyond the manufacturer's specifications.</p>	<p>Never exceed the manufacturer's Gross Vehicle Rating (GVWR) located on your vehicles identification tag.</p> <p>BEFORE INSTALLATION: Ensure the vehicle is on a level surface, the parking brake is ON, with the ignition OFF, and place blocks in front of and behind the front tires to prevent the vehicle from moving.</p> <p>DURING AND/OR AFTER INSTALLATION: Ensure emergency brake cables are not touch-ing the SuperSprings. Secure any cables out of the way with zip ties or by re-routing. Ensure all A/C lines, brake cables, and frame are clear of contact or interference.</p>	