

PART NUMBER

**SSR-183-54-1**



SCAN HERE: To watch a video of this installation



**BEFORE YOU BEGIN**

**PRIMARY APPLICATIONS**

- > Ford F53 4 X 2  
(2011 - present)
- > Ford F53 4 X 2  
(2008 - 2009)

**THIS APPLICATION FITS THE FOLLOWING 24K-26K GVWR MODELS:**

- > Coachmen
- > Holiday Rambler
- > Jayco
- > Tiffin
- > Winnebago

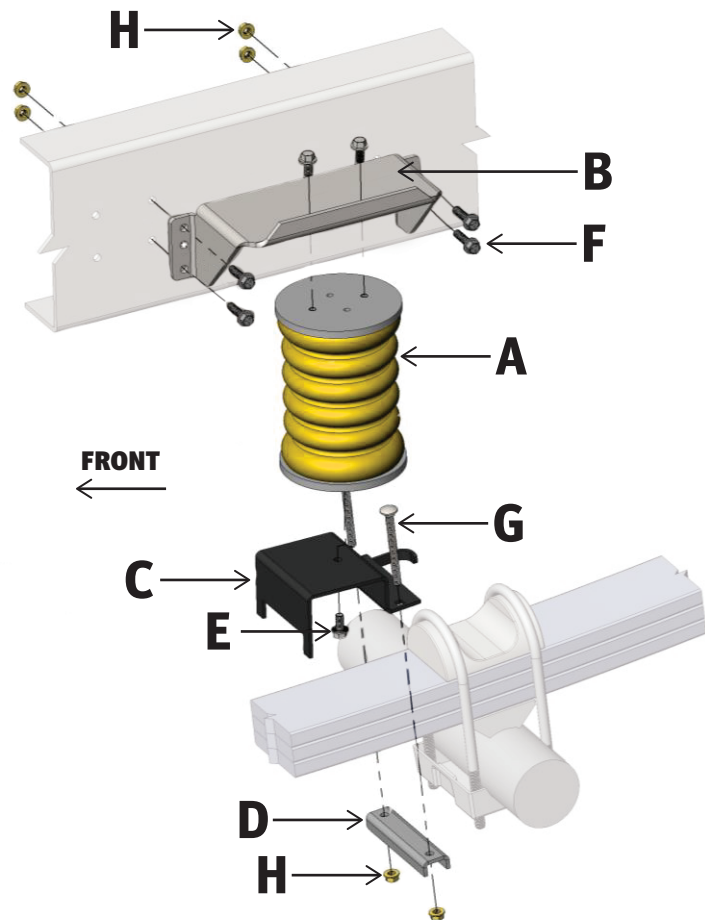
**TOOLS REQUIRED**

- > Floor Jack
- > Jack Stands
- > Wheel Chocks
- > 9/16" Wrench
- > Drill
- > 7/16" Drill Bit

**PARTS LIST**

Item	Part #	Discription	QTY
A	511401	SumoSpring	2
B	512037	Upper Frame Bracket	2
C	512108	Lower Bracket	2
D	512042	U-Bracket Strap	2
E	512207	3/8-16 x 3/4" Serrated Flange Hex Bolt	6
F	512301	3/8-16 x 1 1/2" Serrated Flange Hex Bolt	8
G	512292	3/8-16 x 5" Carriage Bolts	4
H	512302	3/8-16 Top Lock Flange Nuts	12

**DIAGRAM A**



**DRIVER SIDE (PASSENGER SIDE SIMILAR)**

**Part Number: SSR-183-54-1**

**Product Line: SUMOSPRINGS REAR**

**Page 1**

Questions or Concerns?

Scan here:



or visit:  
[superspringsinternational.com](http://superspringsinternational.com)

**SAFETY NOTICE:** We recommend installation be done by a professional or persons with sound mechanical knowledge.

**WARNING:** These instructions are a general guide for installation. SuperSprings International (SSI) assumes no liability for the actual installation process. Consumers and installers should apply common automotive safety practices when raising and working on any vehicle. **Do not put yourself in a position where, if the vehicle were to move unexpectedly, you may be injured.** SSI's products are designed to improve vehicle ride quality. Do not load any vehicle beyond the manufacturer's specifications.

Never exceed the manufacturer's Gross Vehicle Rating (GVWR) located on your vehicles identification tag.

**BEFORE INSTALLATION:** Ensure the vehicle is on a hard level surface, the parking brake is ON, with the ignition OFF, and place chocks in front of and behind the tires to prevent the vehicle from moving.

**DURING AND/OR AFTER INSTALLATION:** Ensure emergency brake cables are not touching the SSI products. Secure any cables out of the way with zip ties or by re-routing. Ensure all A/C lines, brake cables, and frame are clear of contact or interference.

PART NUMBER

## SSR-183-54-1



### INSTALLATION

1. Park vehicle on level hard surface. Engage emergency brake. Place chocks in front and behind front wheels to prevent rolling. Observe all safety precautions and wear safety glasses.
2. Raise rear of vehicle allowing the axle to hang freely. Support the frame using safety jack stands.
3. Attach Upper Frame bracket [ITEM B] to the top of the SumoSpring [ITEM A] using two 3/8-16 x 3/4" Serrated Flange Hex Bolts [ITEM E]. Attach the Lower bracket [ITEM C] to the bottom of the SumoSpring using one 3/8-16 x 3/4" Serrated Flange Hex Bolt [ITEM E] [DIAGRAM A].
4. Insert two 3/8-16 x 4" Carriage Bolts [ITEM G] into the two square openings in the Lower Bracket [ITEM C] in such a way that they straddle the factory spring-pack. Position the lower bracket so that the curved side finger captures the factory u-bolt [DIAGRAM B].
5. Secure the Lower Bracket [ITEM C] to the factory spring-pack using the U-Bracket Strap [ITEM D], two Carriage Bolts [ITEM G], and two 3/8-16 Top-Lock Nuts [ITEM H].
6. Repeat steps 3 through 5 on the opposite side of the vehicle.
7. Jack up the axle until Upper Frame Bracket [ITEM B] is in correct position on frame. Drill the two lower holes using a 7/16" drill bit exactly mid height on the frame [DIAGRAM B].
8. Insert two 3/8-16 x 1 1/2" Hex Bolts [ITEM F] and 3/8" Top-Lock Nuts [ITEM H] in lower holes [DIAGRAM B].
9. Using the Upper Bracket holes as a guide, drill two upper holes using a 7/16" drill bit (ensure clearance on all cables/service lines inside the frame prior to drilling).
10. Insert two 3/8-16 x 1 1/2" Hex Bolts [ITEM F] and 3/8" Top-Lock Nuts [ITEM H] in upper holes [DIAGRAM B].
11. Repeat steps 7 through 10 on the other side.
12. Carefully lower vehicle to the hard surface. Remove the blocks in front and back of the rear wheels.
13. Register the warranty for your SuperSprings International part. A warranty card can be found in the box your part came in.

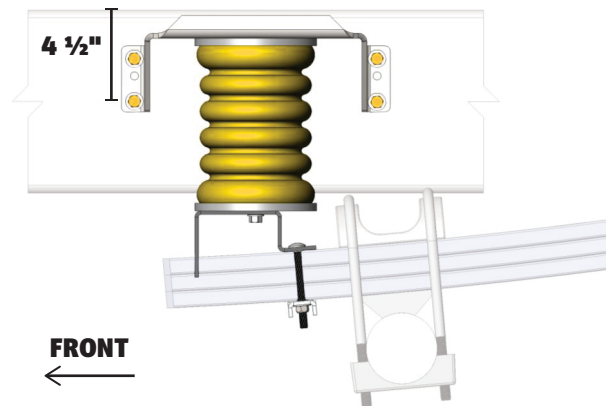


DIAGRAM B

Part Number: SSR-183-54-1

Product Line: SUMOSPRINGS REAR

Page 2

Questions or Concerns?

Scan here:



or visit:  
[superspringsinternational.com](http://superspringsinternational.com)

**SAFETY NOTICE:** We recommend installation be done by a professional or persons with sound mechanical knowledge.

**WARNING:** These instructions are a general guide for installation. SuperSprings International (SSI) assumes no liability for the actual installation process. Consumers and installers should apply common automotive safety practices when raising and working on any vehicle. **Do not put yourself in a position where, if the vehicle were to move unexpectedly, you may be injured.** SSI's products are designed to improve vehicle ride quality. Do not load any vehicle beyond the manufacturer's specifications.

Never exceed the manufacturer's Gross Vehicle Rating (GVWR) located on your vehicles identification tag.

**BEFORE INSTALLATION:** Ensure the vehicle is on a hard level surface, the parking brake is ON, with the ignition OFF, and place chocks in front of and behind the tires to prevent the vehicle from moving.

**DURING AND/OR AFTER INSTALLATION:** Ensure emergency brake cables are not touching the SSI products. Secure any cables out of the way with zip ties or by re-routing. Ensure all A/C lines, brake cables, and frame are clear of contact or interference.

REV 2.02 | SEP 2023