

PART NUMBER

**SSR-205-40/47/54**



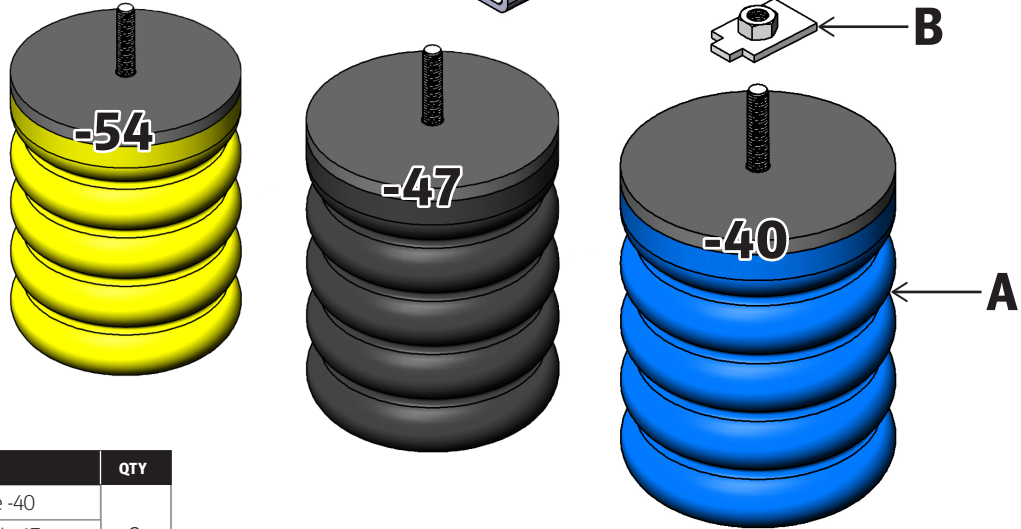
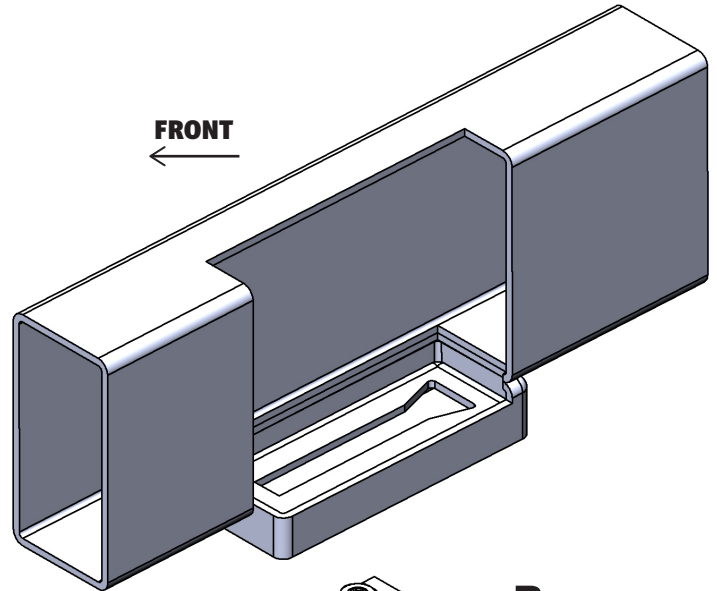
**BEFORE YOU BEGIN**

**PRIMARY APPLICATIONS**

- > Chevrolet Express 2500 4 X 2  
(1996 - present)
- > Chevrolet Express 3500 4 X 2  
(1996 - present)
- > GMC Savana 2500 4 X 2  
(1996 - present)
- > GMC Savana 3500 4 X 2  
(1996 - present)

**TOOLS REQUIRED**

- > Floor Jack
- > Jack Stands
- > Wheel Chocks



**PARTS LIST**

Item	Part #	Discription	QTY
A	511438-1.0	SumoSprings Blue -40	2
	511420-1.0	SumoSprings Black -47	
	511434-1.0	SumoSprings Yellow -54	
B	512073	Nut Plate	2

**DRIVER SIDE (PASSENGER SIDE SIMILAR)**

**Part Number: SSR-205-40/47/54**

**Product Line: SUMOSPRINGS REAR**

**Page 1**

Questions or Concerns?

Scan here:



or visit:  
superspringsinternational.com

**SAFETY NOTICE:** We recommend installation be done by a professional or persons with sound mechanical knowledge.

**WARNING:** These instructions are a general guide for installation. SuperSprings International (SSI) assumes no liability for the actual installation process. Consumers and installers should apply common automotive safety practices when raising and working on any vehicle. **Do not put yourself in a position where, if the vehicle were to move unexpectedly, you may be injured.** SSI's products are designed to improve vehicle ride quality. Do not load any vehicle beyond the manufacturer's specifications.

Never exceed the manufacturer's Gross Vehicle Rating (GVWR) located on your vehicles identification tag.

**BEFORE INSTALLATION:** Ensure the vehicle is on a hard level surface, the parking brake is ON, with the ignition OFF, and place chocks in front of and behind the tires to prevent the vehicle from moving.

**DURING AND/OR AFTER INSTALLATION:** Ensure emergency brake cables are not touching the SSI products. Secure any cables out of the way with zip ties or by re-routing. Ensure all A/C lines, brake cables, and frame are clear of contact or interference.

REV. 2.01 | SEP 2023

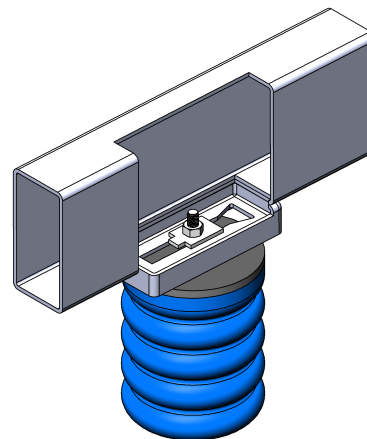
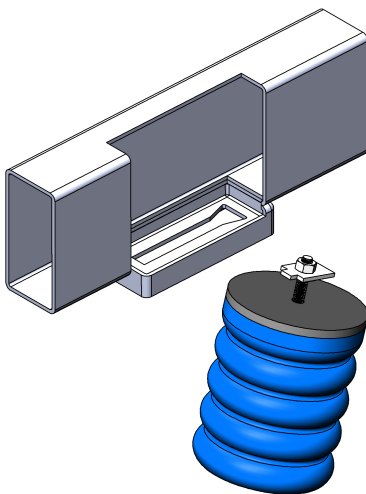
PART NUMBER

**SSR-205-40/47/54**



**INSTALLATION**

1. Park the vehicle on a hard, level surface and engage the emergency brake. Place chocks in front and behind wheels to prevent rolling. Observe all safety precautions and wear safety glasses.
2. Raise rear of vehicle allowing the axle to hang freely. Support the frame using safety jack stands.
3. Starting on the driver side, remove the factory bump stop by pulling/prying down the rear and sliding it backward out of the slot in the frame.
4. Apply a drop of Blue Thread Locker to the threads of the stud on the SumoSpring [ITEM A] and thread the Nut Plate [ITEM B] a few threads onto the stud. Ensure that the nut on the Nut Plate is facing up.
5. Insert the Nut Plate [ITEM B] into the slot on the frame from the rear with the notched edge entering the slot first. Ensure that the square part of the Nut Plate is located in the slot and center the SumoSpring over the axle, tighten securely by hand. See diagrams below for details
6. Repeat steps 3 through 5 on the passenger side of the vehicle.
7. Raise the vehicle, remove safety jack stands, and carefully lower vehicle to the hard surface. Remove the chocks in front and back of the rear wheels.
8. Register the warranty for your SuperSprings International part. A warranty card can be found in the box your part came in.



**INSTALLED SUMOSPRING**

**Part Number: SSR-205-40/47/54**

**Product Line: SUMOSPRINGS REAR**

**Page 2**

Questions or Concerns?

Scan here:



or visit:  
[superspringsinternational.com](http://superspringsinternational.com)

**SAFETY NOTICE:** We recommend installation be done by a professional or persons with sound mechanical knowledge.

**WARNING:** These instructions are a general guide for installation. SuperSprings International (SSI) assumes no liability for the actual installation process. Consumers and installers should apply common automotive safety practices when raising and working on any vehicle. **Do not put yourself in a position where, if the vehicle were to move unexpectedly, you may be injured.** SSI's products are designed to improve vehicle ride quality. Do not load any vehicle beyond the manufacturer's specifications.

**Never exceed the manufacturer's Gross Vehicle Rating (GVWR) located on your vehicles identification tag.**

**BEFORE INSTALLATION:** Ensure the vehicle is on a hard level surface, the parking brake is ON, with the ignition OFF, and place chocks in front of and behind the tires to prevent the vehicle from moving.

**DURING AND/OR AFTER INSTALLATION:** Ensure emergency brake cables are not touching the SSI products. Secure any cables out of the way with zip ties or by re-routing. Ensure all A/C lines, brake cables, and frame are clear of contact or interference.

REV. 2.01 | SEP 2023