

PART NUMBER

**SSR-405-47**



SCAN HERE: To watch a video of this installation



**BEFORE YOU BEGIN**

**PRIMARY APPLICATIONS**

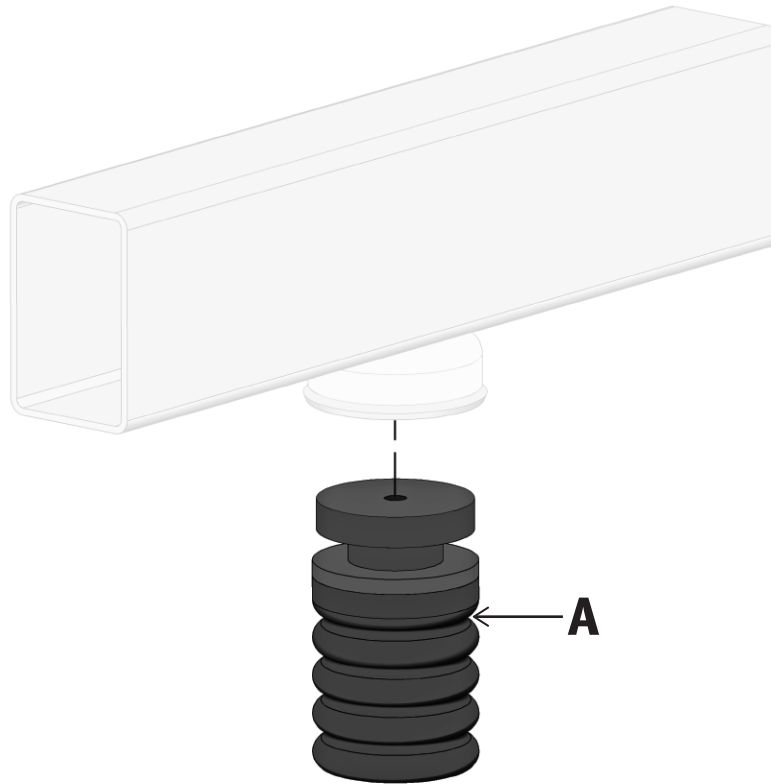
- > Jeep Wrangler 4 X 4  
(2007 - present)

**TOOLS REQUIRED**

- > Floor Jack
- > Jack Stands
- > Wheel Chocks

**PARTS LIST**

Item	Part #	Description	QTY
A	511455	SumoSprings Black -47	2



**DRIVER SIDE (PASSENGER SIDE SIMILAR)**

**Part Number: SSR-405-47**

**Product Line: SUMOSPRINGS REAR**

**Page 1**

Questions or Concerns?

Scan here:



or visit:  
[superspringsinternational.com](http://superspringsinternational.com)

**SAFETY NOTICE:** We recommend installation be done by a professional or persons with sound mechanical knowledge.

**WARNING:** These instructions are a general guide for installation. SuperSprings International (SSI) assumes no liability for the actual installation process. Consumers and installers should apply common automotive safety practices when raising and working on any vehicle. **Do not put yourself in a position where, if the vehicle were to move unexpectedly, you may be injured.** SSI's products are designed to improve vehicle ride quality. Do not load any vehicle beyond the manufacturer's specifications.

**Never exceed the manufacturer's Gross Vehicle Rating (GVWR) located on your vehicles identification tag.**

**BEFORE INSTALLATION:** Ensure the vehicle is on a hard level surface, the parking brake is ON, with the ignition OFF, and place chocks in front of and behind the tires to prevent the vehicle from moving.

**DURING AND/OR AFTER INSTALLATION:** Ensure emergency brake cables are not touching the SSI products. Secure any cables out of the way with zip ties or by re-routing. Ensure all A/C lines, brake cables, and frame are clear of contact or interference.

REV. 2.01 | SEP 2023

PART NUMBER

**SSR-405-47**



**INSTALLATION**

1. Park the vehicle on a hard, level surface and engage the emergency brake. Place chocks in front and behind wheels to prevent rolling. Observe all safety precautions and wear safety glasses.
2. Raise the rear of the Jeep, allowing the axle to hang freely. Support the frame using safety jack stands. Removal of the rear wheel is optional.
3. Starting on the driver side, remove the existing factory bump stop from the frame. The bump stop is easily removed by pulling and twisting it.
4. Install the SumoSprings [ITEM A] into the bump stop cup by pushing and twisting them into the same position as the factory bump stops.
5. Repeat steps 3 through 4 on the passenger side of the vehicle.
6. Raise the vehicle to allow room to remove the safety jack stands. Reinstall the rear wheels if they were removed during installation and torque wheel nuts to manufacturers specifications.
7. Carefully lower vehicle to the hard surface and remove the chocks from the wheels.
8. Register the warranty for your SuperSprings International part. A warranty card can be found in the box your part came in.

**Part Number: SSR-405-47**

**Product Line: SUMOSPRINGS REAR**

**Page 2**

Questions or Concerns?

Scan here:



or visit:  
[superspringsinternational.com](http://superspringsinternational.com)

**SAFETY NOTICE:** We recommend installation be done by a professional or persons with sound mechanical knowledge.

**WARNING:** These instructions are a general guide for installation. SuperSprings International (SSI) assumes no liability for the actual installation process. Consumers and installers should apply common automotive safety practices when raising and working on any vehicle. **Do not put yourself in a position where, if the vehicle were to move unexpectedly, you may be injured.** SSI's products are designed to improve vehicle ride quality. Do not load any vehicle beyond the manufacturer's specifications.

**Never exceed the manufacturer's Gross Vehicle Rating (GVWR) located on your vehicles identification tag.**

**BEFORE INSTALLATION:** Ensure the vehicle is on a hard level surface, the parking brake is ON, with the ignition OFF, and place chocks in front of and behind the tires to prevent the vehicle from moving.

**DURING AND/OR AFTER INSTALLATION:** Ensure emergency brake cables are not touching the SSI products. Secure any cables out of the way with zip ties or by re-routing. Ensure all A/C lines, brake cables, and frame are clear of contact or interference.

REV. 2.01 | SEP 2023