

PART NUMBER

SSR-612-40/47



SCAN HERE: To watch a video of this installation



BEFORE YOU BEGIN

PRIMARY APPLICATIONS

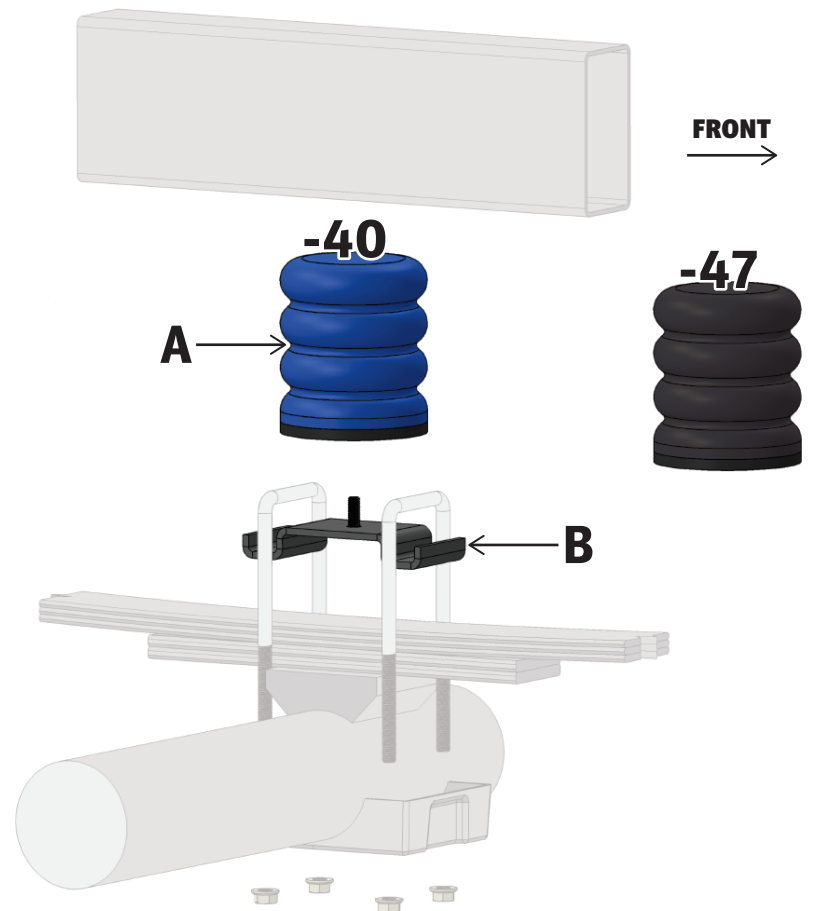
- > Toyota Tacoma 4 X 2 & 4 X 4
(2016 - present)
- > Toyota Hilux Revo 4 X 2 & 4 X 4
(2016 - present)
- > Nissan Frontier 4 X 2 & 4 X 4
(2016 - present)
- > Isuzu Dmax 4 X 2 & 4 X 4
(2013 - present)

PARTS LIST

Item	Part #	Description	QTY
A	511453	SumoSprings Blue -40	2
	511454	SumoSprings Black -47	
B	512094	Mounting Bracket	2

TOOLS REQUIRED

- > Floor Jack
- > Jack Stands
- > Wheel Chocks
- > Ratchet and Sockets
- > Torque Wrench



DRIVER SIDE (PASSENGER SIDE SIMILAR)

Part Number: SSR-612-40/47

Product Line: SUMOSPRINGS REAR

Page 1

Questions or Concerns?

Scan here:



or visit:
superspringsinternational.com

SAFETY NOTICE: We recommend installation be done by a professional or persons with sound mechanical knowledge.

WARNING: These instructions are a general guide for installation. SuperSprings International (SSI) assumes no liability for the actual installation process. Consumers and installers should apply common automotive safety practices when raising and working on any vehicle. **Do not put yourself in a position where, if the vehicle were to move unexpectedly, you may be injured.** SSI's products are designed to improve vehicle ride quality. Do not load any vehicle beyond the manufacturer's specifications.

Never exceed the manufacturer's Gross Vehicle Rating (GVWR) located on your vehicles identification tag.

BEFORE INSTALLATION: Ensure the vehicle is on a hard level surface, the parking brake is ON, with the ignition OFF, and place chocks in front of and behind the tires to prevent the vehicle from moving.

DURING AND/OR AFTER INSTALLATION: Ensure emergency brake cables are not touching the SSI products. Secure any cables out of the way with zip ties or by re-routing. Ensure all A/C lines, brake cables, and frame are clear of contact or interference.

REV. 2.01 | SEP 2023

PART NUMBER

SSR-612-40/47



INSTALLATION

1. Park the vehicle on a hard, level surface and engage the emergency brake. Place chocks in front and behind wheels to prevent rolling. Observe all safety precautions and wear safety glasses.
2. Start on the driver side, with the vehicle still on the ground, loosen the axle u-bolt nut enough to lift the u-bolts and remove the factory bump stop.
3. Install the Mounting Bracket [ITEM B] under the u-bolts.
4. Re-tighten the u-bolts to factory specifications.
5. Repeat steps 3 through 4 on the passenger side.
6. Raise the rear of vehicle to allow the axle to hang freely and support the frame using safety jack stands.
7. Apply Blue Thread Locker to the threads of the stud on the Mounting Bracket [ITEM B] and install the SumoSprings [ITEM A], tightening them securely by hand.
8. Raise the vehicle to allow room to remove the safety jack stands.
9. Carefully lower vehicle and remove the chocks from the wheels.

IMPORTANT: After 200 - 500 miles of driving, re-torque the u-bolts.

10. Register the warranty for your SuperSprings International part. A warranty card can be found in the box your part came in.

Part Number: SSR-612-40/47

Product Line: SUMOSPRINGS REAR

Page 2

Questions or Concerns?

Scan here:



or visit:
superspringsinternational.com

SAFETY NOTICE: We recommend installation be done by a professional or persons with sound mechanical knowledge.

WARNING: These instructions are a general guide for installation. SuperSprings International (SSI) assumes no liability for the actual installation process. Consumers and installers should apply common automotive safety practices when raising and working on any vehicle. **Do not put yourself in a position where, if the vehicle were to move unexpectedly, you may be injured.** SSI's products are designed to improve vehicle ride quality. Do not load any vehicle beyond the manufacturer's specifications.

Never exceed the manufacturer's Gross Vehicle Rating (GVWR) located on your vehicles identification tag.

BEFORE INSTALLATION: Ensure the vehicle is on a hard level surface, the parking brake is ON, with the ignition OFF, and place chocks in front of and behind the tires to prevent the vehicle from moving.

DURING AND/OR AFTER INSTALLATION: Ensure emergency brake cables are not touching the SSI products. Secure any cables out of the way with zip ties or by re-routing. Ensure all A/C lines, brake cables, and frame are clear of contact or interference.

REV. 2.01 | SEP 2023